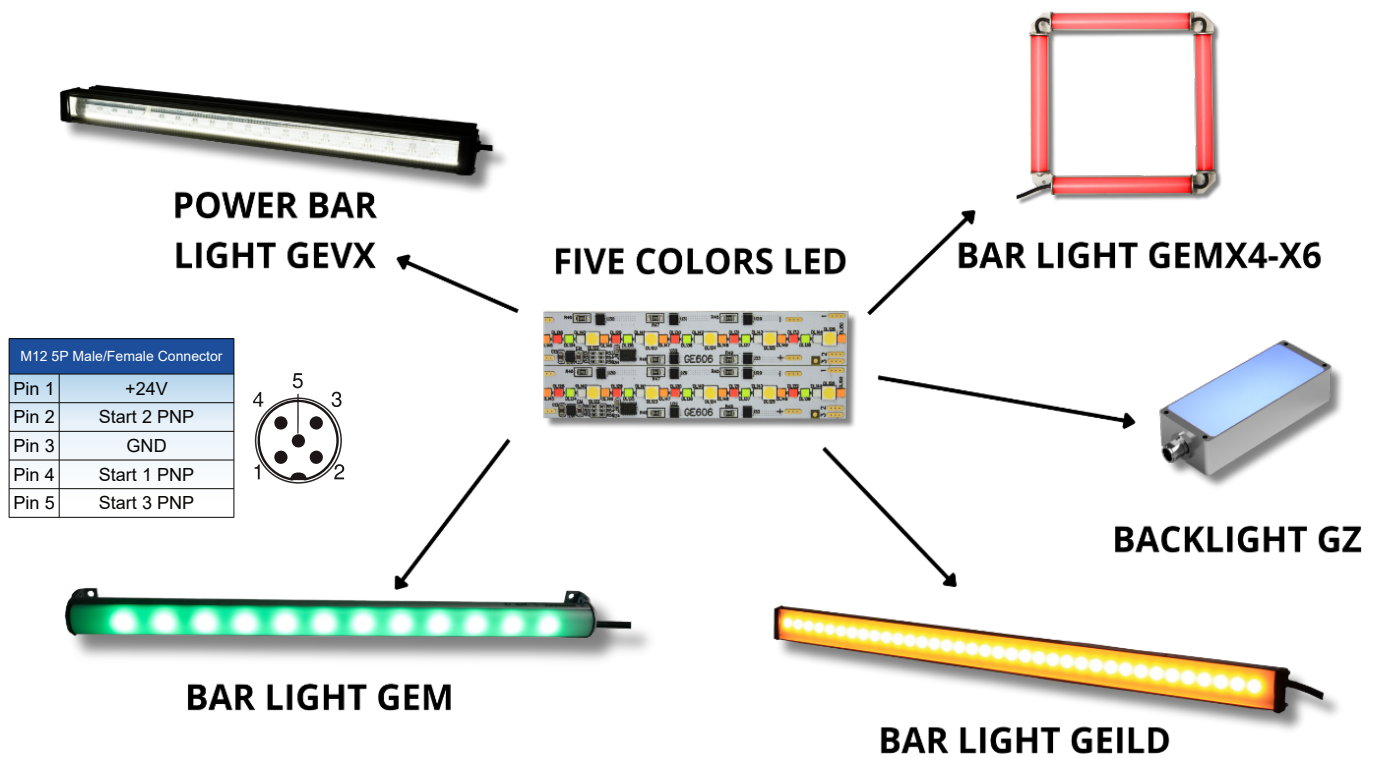


FIVE COLORS LINE



develop
your custom
solution

24
Vdc

CE
RoHS

UK
CA

Optional
IO-Link
External
controller

- Illuminator Features:**
- Machine signaling and lighting with 5 colors high intensity light in a single illuminator;
 - Daisy chain power up to 3.2 m;
 - Continuous or Strobe use for multicolor vision application;
 - 10µs minimum pulse for high speed machine vision system.

CONTINUOUS USE
STROBE USE
⚡

FIVE COLORS INPUT COMBINATIONS			
Start 1 PNP	Start 2 PNP	Start 3 PNP	LED Color
ON	-	-	Cold White
-	ON	-	Red
-	-	ON	Green
ON	ON	-	Blue
ON	-	ON	Yellow/Amber
-	-	-	Light Off

Five Colors Part Number

Ex. Code : **MODELXXX** -**RGBYW** -**CCC** -**WW1** -**WW2** -**WW3**

XXX	Base lengths		-CCC	Powers	-WW1	Cover variants	-WW2	Fixing variants (GEILD only)
GEILDXXX	From 10 to 200 cm			Base 100 mA per led		Cover configurator is reported below		Base fixing
XXX	Base lengths			Base GEVX 180 mA per led			-FC	Short fixing
GEMXXX	From 20 to 290 cm			Base GZ 60 mA per led			-FS	Rear fixing
GEMX4-XXX	From 9 to 25 cm		-CCC	Current on demand				
GEMX6-XXX	From 9 to 25 cm							
XXX	Base lengths						-WW3	Cables
GEVXXXX	From 20 to 200 cm						-1	20 cm cable M12 5P M + logic start
XXX	Lengths	Heights					-1	Panel mount connector M12 5P M + logic start (GZ only)
GZ	30 mm	45 mm					-2	20 cm cable M12 5P M+F + logic start
	30 mm	90 mm					-WW3	Supply connection on demand*
	30 mm	180 cm						
	60 mm	90 mm						
	60 mm	180 mm						
	90 mm	90 mm						
	90 mm	180 mm						
	120 mm	135 mm						
180 mm	180 mm							
MODELXXX	Dimensions on demand							

*Daisy chain power up to 2 m for GEVX model and 3.2 m for GEILD and GEM model

COVER VARIANTS

-WW1	GEILD	-WW1	GEM	-WW1	GEMX4-X6
-T	Base Transparent matte cover	-T	Base Transparent cover	-T	Base Transparent cover
-ST	Base Satin cover	-OP	Base Opaline cover	-OP	Base Opaline cover
-OP	Opaline cover	-L10	10° Lens	-L10	10° Lens
-OPB	Semi Opaline black cover	-L25	25° Lens	-L25	25° Lens
-WW1	Cover on demand	-WW1	Cover on demand	-WW1	Cover on demand

-WW1	GEVX	-WW1	GZ
	Base 5° Lens cover		Base Opaline cover
-ML	12° ML 4° - 45° + transparent cover	-ST	Satin cover
-IP65	Transparent cover - IP65	-T	Transparent cover
-WW1	Cover on demand	-WW1	Cover on demand

GEILD FIVE COLORS

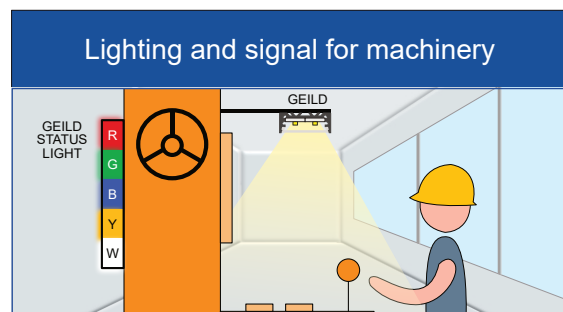
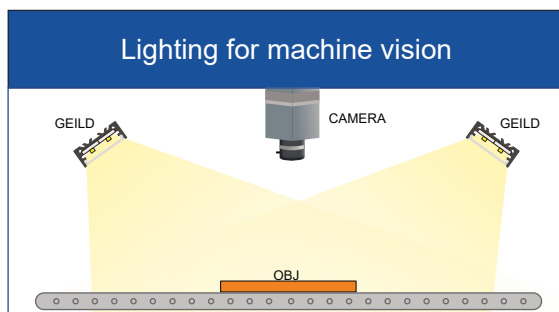


Daisy chain power up to 3.2 m

MODELS

	Code	Description
Base model	GEILD10-RGBYW-T-2	bar light 10 cm 6 led x 5 colors single color use Transparent cover 100mA 2,4W 20cm cable M12 5P M+F 3 logic start UL
Base model	GEILD20-RGBYW-ST-2	bar light 20 cm 12 led x 5 colors single color use Satin PC cover 200mA 5W 20cm cable M12 5P M+F 3 logic start UL
Base model	GEILD28-RGBYW-T-2	bar light 28 cm 18 led x 5 colors single color use Transparent cover 300mA 7,2W 20cm cable M12 5P M+F 3 logic start UL
Base model	GEILD34-RGBYW-ST-2	bar light 34 cm 24 led x 5 colors single color use Satin PC cover 400mA 10W 20cm cable M12 5P M+F 3 logic start UL
Base model	GEILD42-RGBYW-T-2	bar light 42 cm 30 led x 5 colors single color use Transparent cover 500mA 12W 20cm cable M12 5P M+F 3 logic start UL
Base model	GEILD50-RGBYW-ST-2	bar light 50 cm 36 led x 5 colors single color use Satin PC cover 600mA 14,4W 20cm cable M12 5P M+F 3 logic start UL
Base model	GEILD60-RGBYW-T-2	bar light 60 cm 42 led x 5 colors single color use Transparent cover 700mA 17W 20cm cable M12 5P M+F 3 logic start UL
Base model	GEILD100-RGBYW-ST-2	bar light 100 cm 72 led x 5 colors single color use Satin PC cover 1200mA 29W 20cm cable M12 5P M+F 3 logic start UL
Base model	GEILD200-RGBYW-T-2	bar light 200 cm 144 led x 5 colors single color use Transparent cover 2400mA 58W 20cm cable M12 5P M+F 3 logic start UL
Tailor Made	GEILDXXX-RGBYW-CCC-WW1-WW2-WW3	Choose the dimension and the wavelength of the light

TYPICAL APPLICATIONS



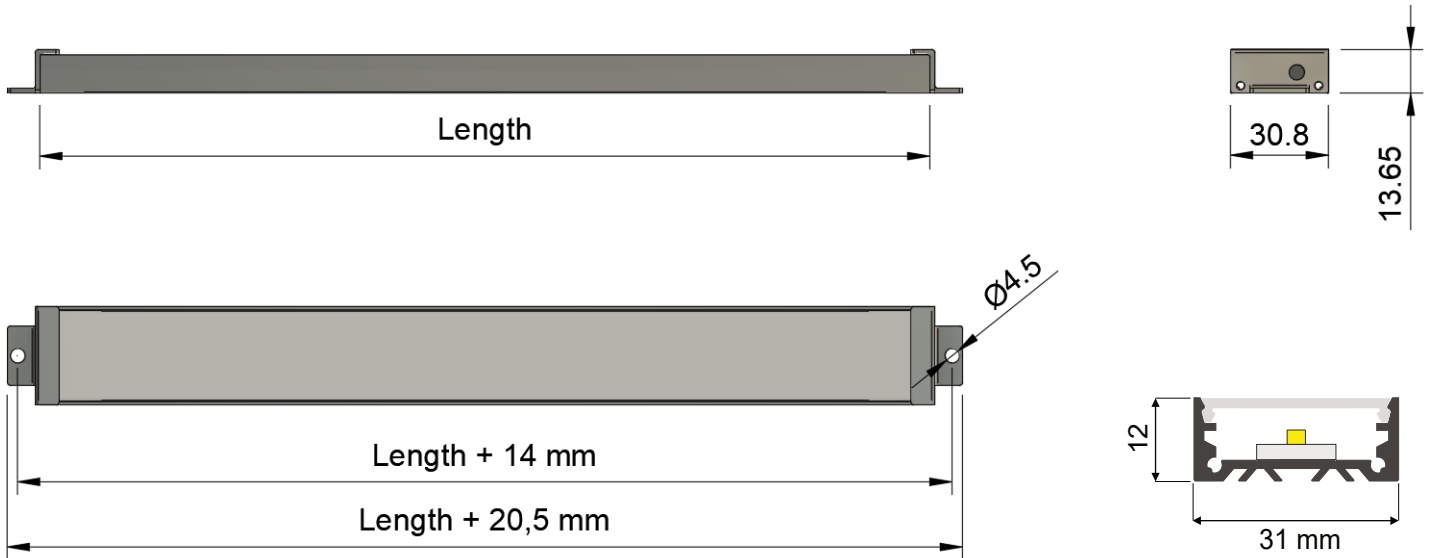
Genesi LUX®

GENESI ELETTRONICA SRL - VIA BACHELET, 3/A - 41057 SPILAMBERTO (MO) - ITALY
info@genesi-lux.it - TEL. +39 059785566 - www.genesi-elettronica.com
 ©All Rights Reserved GENESI ELETTRONICA - FIVE COLORS LINE

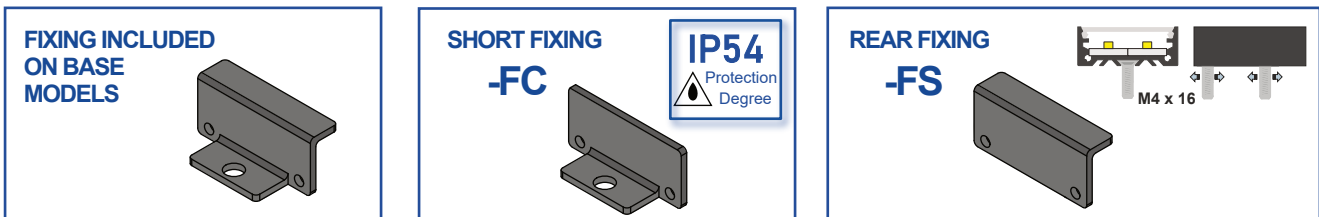


Rev. 02/26

MECHANICAL DRAWING



FIXING

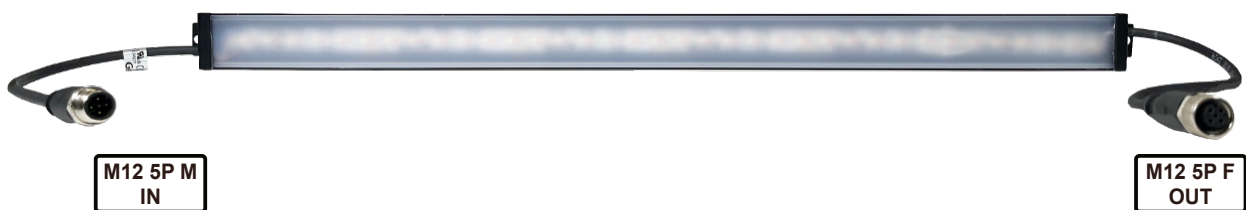


CABLES

Five Colors bar with only M12 5P input cable (-1 configuration code)



Five Colors bar with M12 5P I/O cables (-2 configuration code)



GEM FIVE COLORS

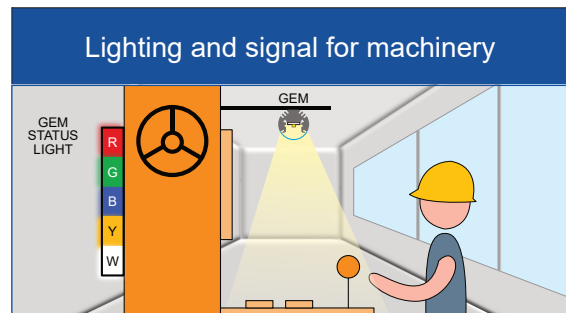
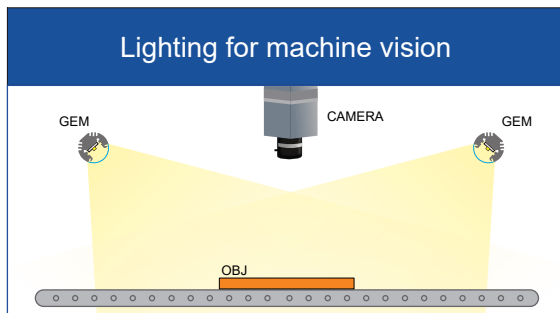


Daisy chain power up to 3.2 m

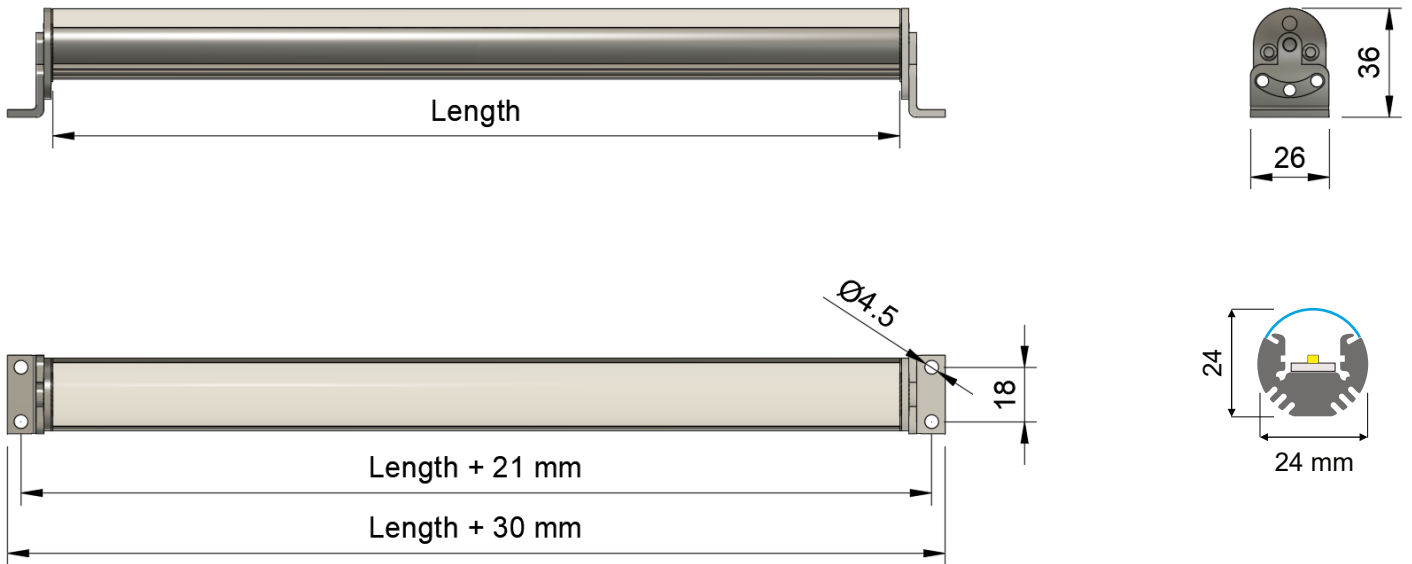
MODELS

	Code	Description
Base model	GEM20-RGBYW-T-2	bar light 20 cm 12 led x 5 colors single color use Transparent cover 200mA 5W 20cm cable M12 5P M+F 3 logic start UL
Base model	GEM28-RGBYW-OP-2	bar light 28 cm 18 led x 5 colors single color use Opaline cover 300mA 7,2W 20cm cable M12 5P M+F 3 logic start UL
Base model	GEM34-RGBYW-T-2	bar light 34 cm 24 led x 5 colors single color use Transparent cover 400mA 10W 20cm cable M12 5P M+F 3 logic start UL
Base model	GEM42-RGBYW-OP-2	bar light 42 cm 30 led x 5 colors single color use Opaline cover 500mA 12W 20cm cable M12 5P M+F 3 logic start UL
Base model	GEM50-RGBYW-T-2	bar light 50 cm 36 led x 5 colors single color use Transparent cover 600mA 14,4W 20cm cable M12 5P M+F 3 logic start UL
Base model	GEM60-RGBYW-OP-2	bar light 60 cm 42 led x 5 colors single color use Opaline cover 700mA 17W 20cm cable M12 5P M+F 3 logic start UL
Base model	GEM100-RGBYW-T-2	bar light 100 cm 72 led x 5 colors single color use Transparent cover 1200mA 29W 20cm cable M12 5P M+F 3 logic start UL
Base model	GEM200-RGBYW-OP-2	bar light 200 cm 144 led x 5 colors single color use Opaline cover 2400mA 58W 20cm cable M12 5P M+F 3 logic start UL
Tailor Made	GEMXXX-RGBYW-CCC-WW1-WW2-WW3	Choose the dimension and the wavelength of the light

TYPICAL APPLICATIONS



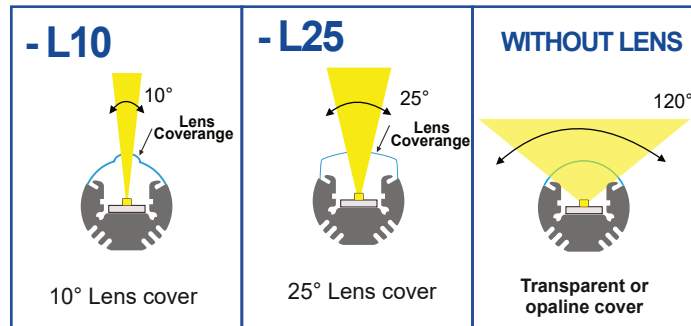
MECHANICAL DRAWING



160° ROTATING FASTENERS INCLUDED



BEAM ANGLES



CABLES

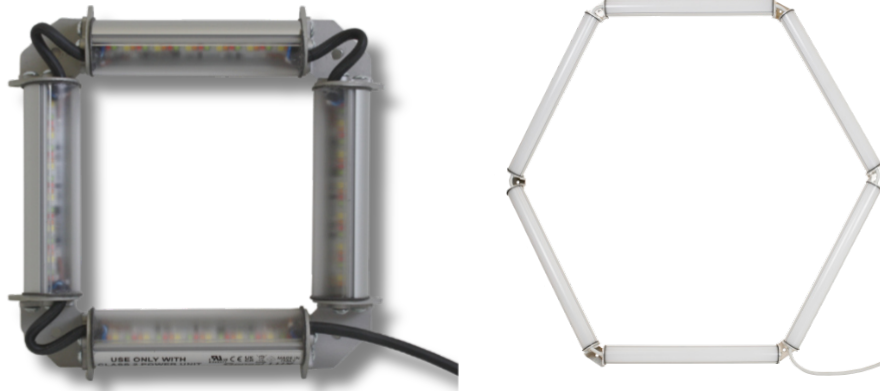
Five Colors bar with only M12 5P input cable (-1 configuration code)



Five Colors bar with M12 5P I/O cables (-2 configuration code)



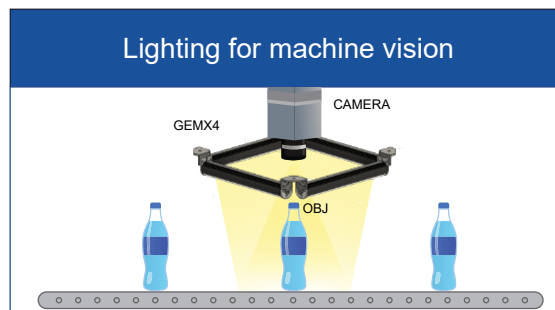
GEMX4-X6 FIVE COLORS



MODELS

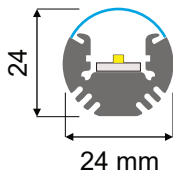
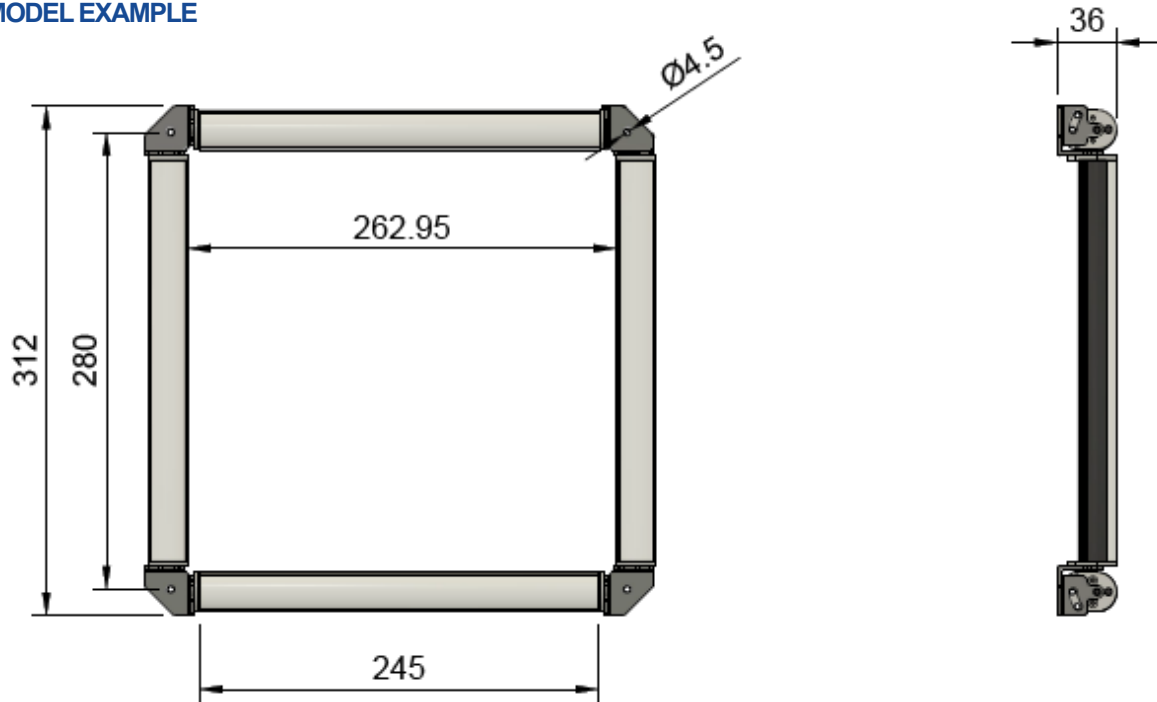
	Code	Description
Base model	GEMX4-09-RGBYW-T-1	bar light square composition 09 cm 24 led x 5 colors single color use Transparent cover 400mA 10W 20cm cable M12 5P M 3 logic start UL
Base model	GEMX4-18-RGBYW-OP-1	bar light square composition 18 cm 24 led x 5 colors single color use Opaline cover 800mA 20W 20cm cable M12 5P M 3 logic start UL
Base model	GEMX4-25-RGBYW-T-1	bar light square composition 25 cm 72 led x 5 colors single color use Transparent cover 1,2A 30W 20cm cable M12 5P M 3 logic start UL
Base model	GEMX6-09-RGBYW-OP-1	bar light Hexagonal composition 09 cm 36 led x 5 colors single color use Opaline cover 600mA 15W 20cm cable M12 5P M 3 logic start UL
Base model	GEMX6-18-RGBYW-T-1	bar light Hexagonal composition 18 cm 72 led x 5 colors single color use Transparent cover 1,2A 30W 20cm cable M12 5P M 3 logic start UL
Base model	GEMX6-25-RGBYW-OP-1	bar light Hexagonal composition 25 cm 108 led x 5 colors single color use Opaline cover 1,8A 45W 20cm cable M12 5P M 3 logic start UL
Tailor Made	GEMX4-XXX-RGBYW-CCC-WW1-WW2-WW3 GEMX6-XXX-RGBYW-CCC-WW1-WW2-WW3	Choose the dimension and the wavelength of the light

TYPICAL APPLICATIONS



MECHANICAL DRAWING

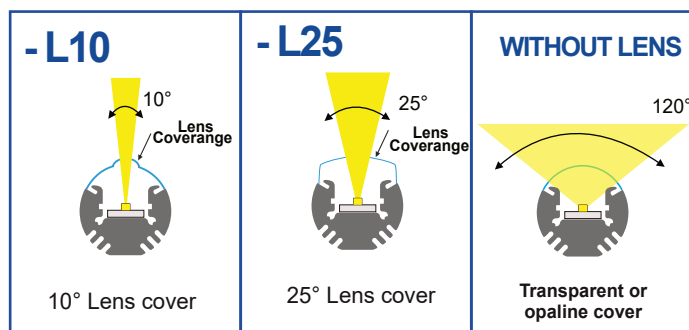
GEMX4-25-RGBYW-OP-1
BASE MODEL EXAMPLE



160° ROTATING FASTENERS INCLUDED



BEAM ANGLES



GEVX FIVE COLORS



Optional
Polarizing
Filter

Base
IP54
Protection Degree

Variant
IP65
Protection Degree

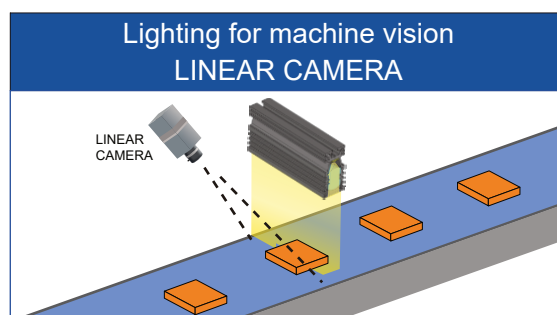
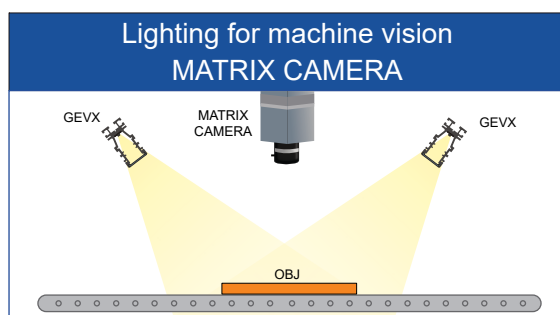


Daisy chain power up to 2 m

MODELS

	Code	Description
Base model	GEVX20-RGBYW-2	bar light 20 cm 12 led x 5 colors single color use 5° Lens cover 360mA 9W 20cm cable M12 5P M+F 3 logic start UL
Base model	GEVX34-RGBYW-ML-2	bar light 34 cm 24 led x 5 colors single color use 12° multi-lens (4°-45°) cover 720mA 18W 20cm cable M12 5P M+F 3 logic start
Base model	GEVX50-RGBYW-2	bar light 50 cm 36 led x 5 colors single color use 5° Lens cover 1,1A 26W 20cm cable M12 5P M+F 3 logic start
Base model	GEVX100-RGBYW-ML-2	bar light 100 cm 72 led x 5 colors single color use 5° Lens cover 2,1A 50W 20cm cable M12 5P M+F 3 logic start
Base model	GEVX200-RGBYW-1	bar light 200 cm 12 led x 5 colors single color use 5° Lens cover 4,2A 100W 20cm cable M12 5P M 3 logic start
Tailor Made	GEVXXXX-RGBYW-CCC-WW1-WW2-WW3	Choose the dimension and the wavelength of the light

TYPICAL APPLICATIONS



Design & Production
Made in Italy



Genesi LUX®

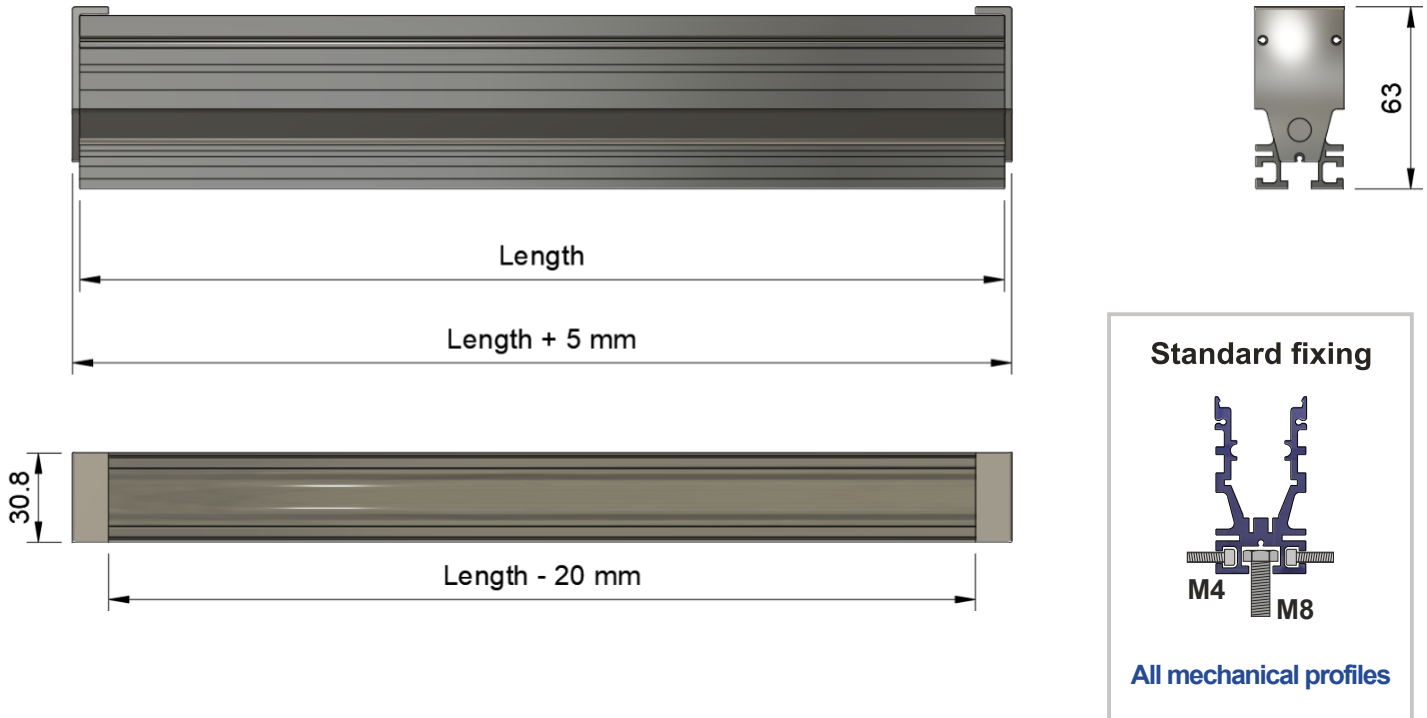
GENESI ELETTRONICA SRL - VIA BACHELET, 3/A - 41057 SPILAMBERTO (MO) - ITALY
info@genesi-lux.it - TEL. +39 059785566 - www.genesi-elettronica.com
 ©All Rights Reserved GENESI ELETTRONICA - FIVE COLORS LINE



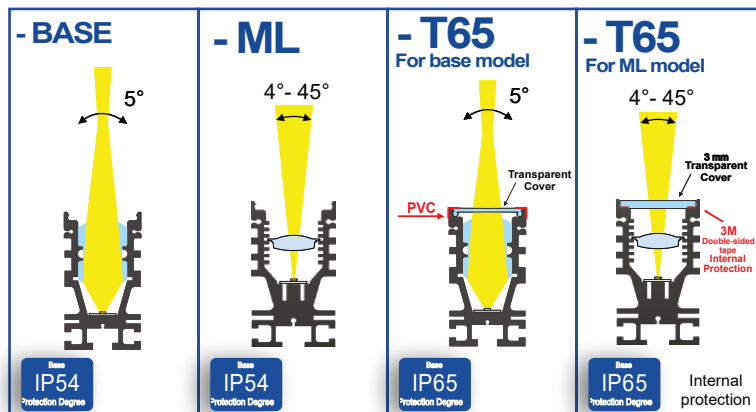
Organization with a
certified ISO 9001:2015
Quality Management System

Rev. 02/26

MECHANICAL DRAWING



BEAM ANGLES AND COVERS



CABLES

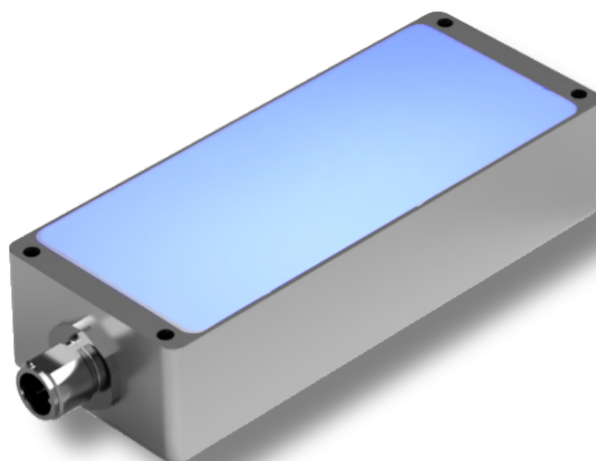
Five Colors bar with only M12 5P input cable (-1 configuration code)



Five Colors bar with M12 5P I/O cables (-2 configuration code)



GZ FIVE COLORS



MODELS

	Code	Description
Base model	GZ3045-RGBYW-1	backlight 30x45mm 6 led x 5 colors single color continuous use Opaline cover 60mA 1,4W M12 M 5P
Base model	GZ3090-RGBYW-1	backlight 30x90mm 12 led x 5 colors single color continuous use Opaline cover 120mA 3W M12 M 5P
Base model	GZ30180-RGBYW-1	backlight 30x180mm 24 led x 5 colors single color continuous e use Opaline cover 240mA 6W M12 M 5P
Base model	GZ6090-RGBYW-1	backlight 60x90mm 24 led x 5 colors single color continuous use Opaline cover 240mA 6W M12 M 5P
Base model	GZ60180-RGBYW-1	backlight 60x180mm 48 led x 5 colors single color continuous use Opaline cover 480mA 12W M12 M 5P
Base model	GZ9090-RGBYW-1	Backlight 90x90mm 36 led x 5 colors single color continuous use Opaline cover 360mA 9W M12 M 5P
Base model	GZ90180-RGBYW-1	backlight 90x180mm 72 led x 5 colors single color continuous use Opaline cover 720mA 18W M12 M 5P
Base model	GZ120135-RGBYW-1	backlight 120x135mm 72 led x 5 colors single color continuous use Opaline cover 720mA 18W M12 M 5P
Base model	GZ180180-RGBYW-1	backlight 180x180mm 144 led x 5 colors single color continuous use Opaline cover 1,4A 36W M12 M 5P
Tailor Made	GZXXX-RGBYW-CCC-WW1-WW2-WW3	Choose the dimension and the wavelength of the light

ACCESSORIES

Code	Description
GZXXX-PX2-AP	Additional protection 2 mm transparent plexiglass + screws
GZXXX-P-AP	Additional protection 2 mm Transparent plexiglass + Polarizing Filter horizontal + screws
GZXXX-C-AP	Additional protection 2 mm Transparent plexiglass + Collimating Filter + screws



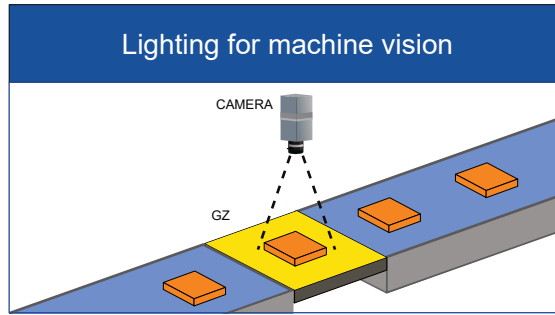
Genesi LUX®

GENESI ELETTRONICA SRL - VIA BACHELET, 3/A - 41057 SPILAMBERTO (MO) - ITALY
info@genesi-lux.it - TEL. +39 059785566 - www.genesi-elettronica.com
 ©All Rights Reserved GENESI ELETTRONICA - FIVE COLORS LINE

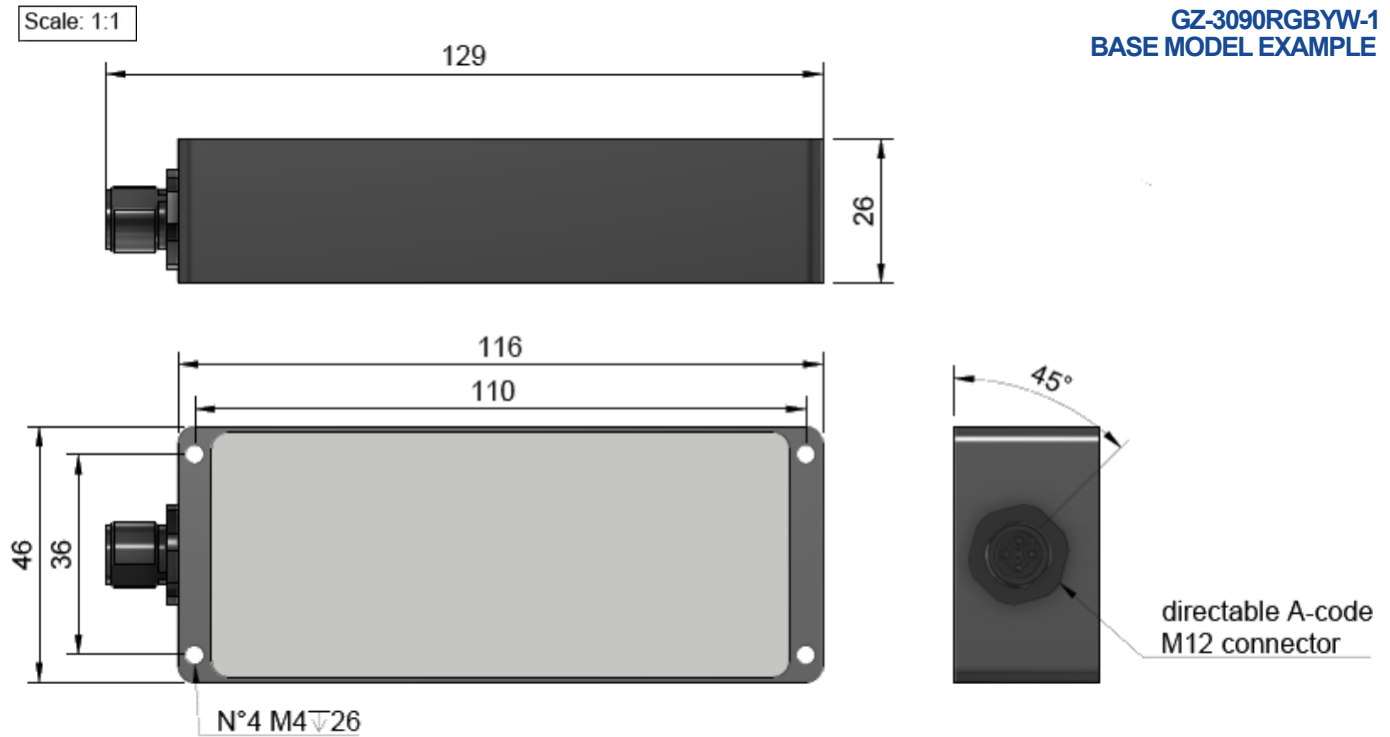


Rev. 02/26

TYPICAL APPLICATIONS



MECHANICAL DRAWING



Material: Grey anodized aluminum



NEW SOLUTION

DESIGN A NEW ONE

info@genesi-lux.it



SAMPLE

TEST THE PRODUCT

info@genesi-lux.it



DOWNLOAD

TECHNICAL SPECIFICATIONS

www.genesi-elettronica.com



REQUEST

THE PRICE LIST

info@genesi-lux.it

STANDARDS	
EMC immunity :	EN 61547:2009
EMC emission :	EN 55015:2019
Photobiologic risk :	EN 62471:2008 GLS:
Assessment of lighting equipment related to human exposure to electromagnetic fields	EN 62493:2015

WARNING

-Electrical device exclusively for professional use. Installation can be done by qualified personnel only.
-In case of power supply wire damage, its replacement has to be done at the head office exclusively.

Warranty loss in case of inappropriate use and tampering.



Design & Production
Made in Italy



Genesi LUX®

GENESI ELETTRONICA SRL - VIA BACHELET, 3/A - 41057 SPILAMBERTO (MO) - ITALY
info@genesi-lux.it - TEL. +39 059785566 - www.genesi-elettronica.com

©All Rights Reserved GENESI ELETTRONICA - FIVE COLORS LINE



Organization with a certified ISO 9001:2015 Quality Management System

Rev. 02/26