



Develop  
your custom  
solution

18  
Standard  
Colours

Base  
**IP65**  
Protection Degree

**24**  
Vdc

Optional  
Polarizing  
Filter

Optional  
**IO-Link**  
External  
controller

**CE**  
RoHS

**UK**  
**CA**

**C** **UL** **US**  
E545377 Class 2

## Illuminator Features :

- Project achieved by internal resources and Genesi skills;
- Model with transparent and opaline covers;
- Model with 10°, 20°, 25°, 40° and 60° lenses;

COLOUR	WHITE		UV-A				VISIBLE				NIR			SWIR				
Led Colour	White 6000K	White 4000K	UV 365nm	UV 385nm	UV 395nm	UV 405nm	Blue 450nm	Green 524nm	Red 625nm	Deep Red 660nm	IR 730nm	IR 850nm	IR 950nm	SWIR 1050nm	SWIR 1200nm	SWIR 1300nm	SWIR 1450nm	SWIR 1550nm
	-6K	-4K	-365	-385	-395	-405	-450	-524	-625	-660	-730	-850	-950	-1050	-1200	-1300	-1450	-1550

# GEMB Part Number

Ex. Code : **GEMBXXX** -**YYY** -**CCC** -**WW1** -**WW3**

XXX	Base Lengths
GEMB03	3 cm
GEMB05	5 cm
GEMB09	9 cm
GEMB18	18 cm
GEMB25	25 cm
GEMB34	34 cm
GEMB42	42 cm
GEMB50	50 cm
GEMB100	100 cm
GEMB200	200 cm
GEMBXXX	from 3 cm to 600 cm on demand

-YYY	Led Colours	EN
-6K	Base 6000K Cold White	White RISK1
-4K	4000K Natural White	
-365	UV 365 nm	UV - A RISK3
-385	UV 385 nm	
-395	UV 395 nm	
-405	UV 405 nm	
-RGB	RGB	Visible RISK1
-450	450 nm Royal Blue	
-524	524 nm Green	
-6KR	Bicolour 6K + Red	
-6KB	Bicolour 6K + Blue	
-6KG	Bicolour 6K + Green	
-625	625 nm Red	Nir RISK2
-660	660 nm Deep Red	
-730	730 nm IR	
-850	850 nm IR	
-950	950 nm IR	Swir RISK2
-1050	1050 nm SWIR	
-1200	1200 nm SWIR	
-1300	1300 nm SWIR	
-1450	1450 nm SWIR	
-1550	1550 nm SWIR	
-YYY	Colour on demand	

-CCC	Powers
	Base 120 mA per led up to 200
-20	20 mA per led
-40	40 mA per led
-70	70 mA per led
-85	85 mA per led
-300	300 mA per led only strobe use
-RA10	Analog reg 0-10V
-RA24	Analog reg 0-24V
-CC	Current Control
-CCC	Current on demand

-WW1	Cover variants
-T	Base Transparent cover
-OP	Base Opaline cover
-L10	10° lens
-L20	20° lens + transparent cover
-L25	25° lens
-L40	40° lens + transparent cover
-L60	60° lens + transparent cover
-TP	Polarizing filter + Transparent cover
-WW1	Cover on demand

-WW3	Cables
	Base 2 Mt cable 2 wires
-M8	20 cm cable + M8 3P M
-M12	20 cm cable + M12 5P M
-S	2 Mt cable + logic start
-M8S	20 cm cable + M8 3P M + logic start
-M12S	20 cm cable + M12 5P M + logic start
-5M	5 Mt 2P cable
-5MS	5 Mt 3P cable + logic start
-WW3	Supply connection on demand

Not all combinations are available

## Part Number Examples:

### GEMB25-6K-OP

Bar light 25cm White 6000K Opaline cover 1230Lm 340mA 8,2W 2 Mt cable 2 Wires

### GEMB05-625-85-T-M8S

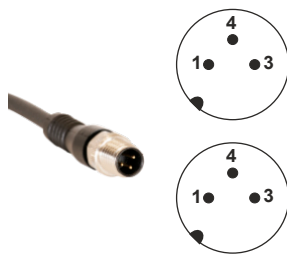
Bar light 5cm RED 625nm Transparent cover 85mA 20cm cable M8 3P M + logic start

### GEMB50-524-L25-5MS

Bar light 50cm Green 524nm 25° Lens cover 840mA 20W 5Mt 3P cable + logic start

# PIN OUT

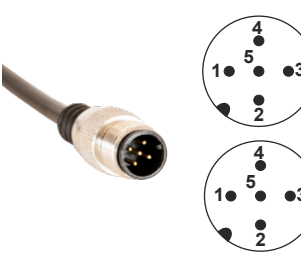
### -M8 / -M8S



M8 - Male 3 Poles	
1	+24 V
3	GND
4	NC

M8S - Male 3 Poles	
1	+24 V
3	GND
4	Start

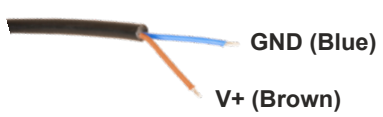
### -M12 / -M12S



Under 4 A		Over 4 A	
M12 - Male 5 Poles		M12 - Male 5 Poles	
1	+24 V	1	+24 V
2	NC	2	+24 V
3	GND	3	GND
4	NC	4	NC
5	NC	5	GND

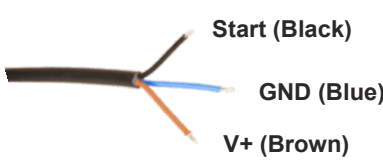
Under 4 A		Over 4 A	
M12S - Male 5 Poles		M12S - Male 5 Poles	
1	+24 V	1	+24 V
2	NC	2	+24 V
3	GND	3	GND
4	Start PNP	4	Start PNP
5	NC	5	GND

### -5M / -10M



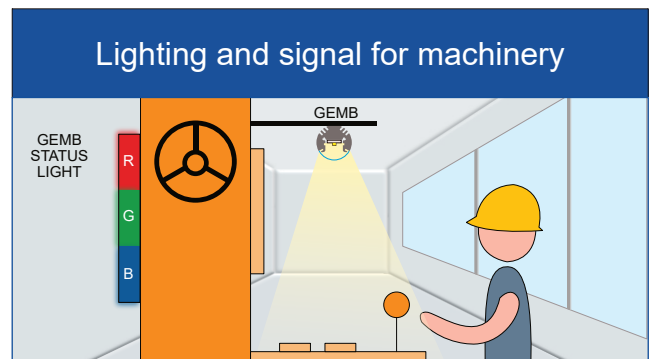
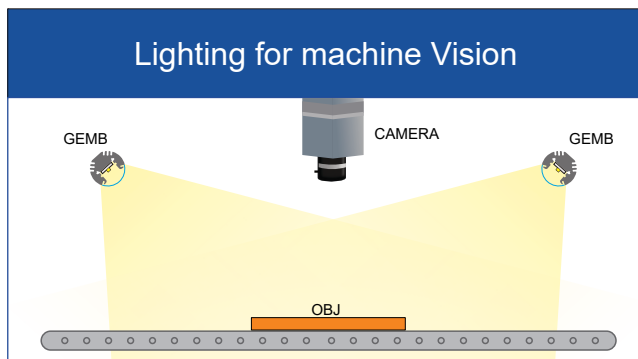
GND (Blue)  
V+ (Brown)

### -S / -5MS / -10MS

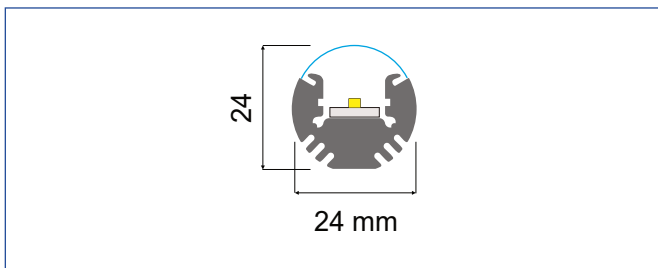


Start (Black)  
GND (Blue)  
V+ (Brown)

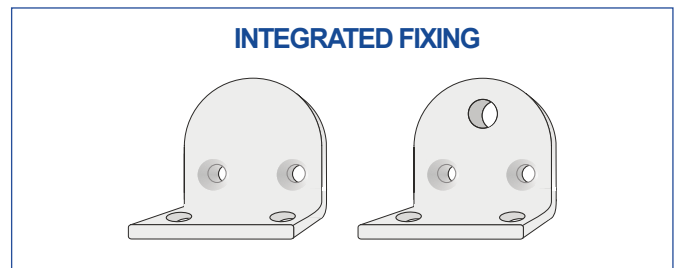
# TYPICAL APPLICATIONS



## MECHANICAL DRAWING

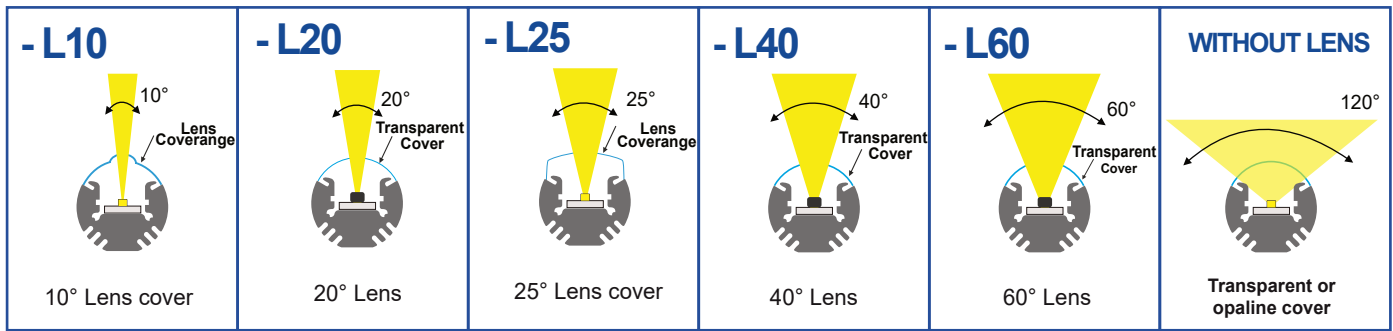


## FIXING

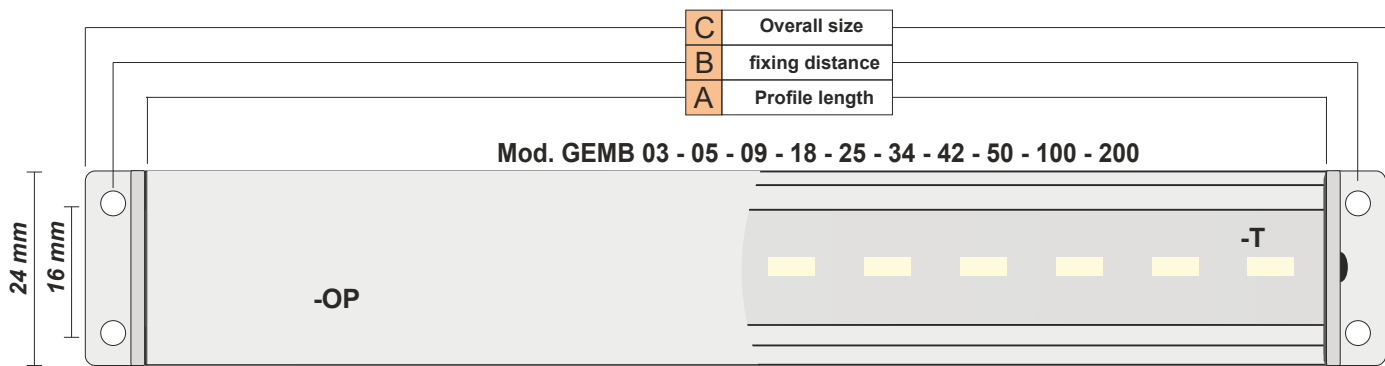


For 3D mechanical drawing requests - [info@genesi-lux.it](mailto:info@genesi-lux.it)

# BEAM ANGLES



# BASE MODEL LENGTHS & POWERS



**WORKING TEMPERATURE RANGE**  
FROM -35°C (NO FROST) TO +55°C

Mod.	A ( mm )	B ( mm )	C ( mm )	Supply voltage	Supply current	Power consumption
GEMB03	30	45	54	24/vdc +/- 10%	70mA	1,6 W
GEMB05	50	65	74		85mA	2,0 W
GEMB09	89	104	113		120mA	2,9 W
GEMB18	176	191	200		230mA	5,4 W
GEMB25	246	261	270		340mA	8,2 W
GEMB34	340	355	364		450mA	10,8 W
GEMB42	419	434	443		570mA	13,7 W
GEMB50	497	512	521		680mA	16,4 W
GEMB100	999	1014	1023		1360mA	32,8 W
GEMB200	1999	2014	2023		2720mA	65,6 W
<b>GEMBXXX from 30 mm to 6000 mm</b>						

# LIGHT POWER TEST

Transparent



Opaline



GEMB50-6K-T	
Working Distance	Power W/m <sup>2</sup>
20 cm	30
40 cm	11
100 cm	2,2

GEMB50-6K-OP	
Working Distance	Power W/m <sup>2</sup>
20 cm	14,5
40 cm	5,3
100 cm	1

## Tailor-Made

Connector	PINS	Function	Description
	1		
	2		
	3		
	4		
	5		

**DEVELOP YOUR CUSTOM PRODUCT WITH OUR R&D TEAM**



### NEW SOLUTION

DESIGN A NEW ONE

[info@genesi-lux.it](mailto:info@genesi-lux.it)



### SAMPLE

TEST THE PRODUCT

[info@genesi-lux.it](mailto:info@genesi-lux.it)



### DOWNLOAD

TECHNICAL SPECIFICATIONS

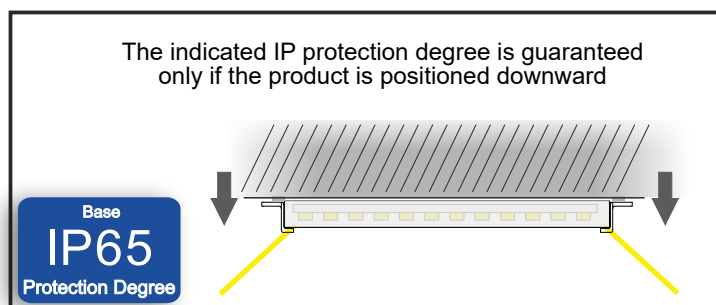
[www.genesi-elettronica.com](http://www.genesi-elettronica.com)



### REQUEST

THE PRICE LIST

[info@genesi-lux.it](mailto:info@genesi-lux.it)



STANDARDS	
EMC immunity :	EN 61547:2009
EMC emission :	EN 55015:2019
Photobiologic risk :	EN 62471:2008 GLS:
Assessment of lighting equipment related to human exposure to electromagnetic fields	EN 62493:2015

### WARNING

-Electrical device exclusively for professional use. Installation can be done by qualified personnel only.

-In case of power supply wire damage, its replacement has to be done at the head office exclusively.

Warranty loss in case of inappropriate use and tampering.



Design & Production  
Made in Italy



**Genesi LUX®**

GENESI ELETTRONICA SRL - VIA BACHELET, 3/A - 41057 SPILAMBERTO (MO) - ITALY

[info@genesi-lux.it](mailto:info@genesi-lux.it) - TEL. +39 059785566 - [www.genesi-elettronica.com](http://www.genesi-elettronica.com)

©All Rights Reserved GENESI ELETTRONICA - GEMB



Organization with a  
certified ISO 9001:2015  
Quality Management System

Rev. 01/26