

Develop
your custom
solution

18
Standard
Colours

Base
IP65
Protection Degree

Variant
IP67
Protection Degree

Optional
Polarizing
Filter

24
Vdc

Optional
IO-Link
External
controller

CE
RoHS

**UK
CA**

UL US
E545377 Class 2

Illuminator Features :

- Project achieved by internal resources and Genesi skills;
- Model with transparent ,opaline cover and pyrex glass;

COLOUR	WHITE		UV-A				VISIBLE				NIR			SWIR				
Led Colour	White 6000K	White 4000K	UV 365nm	UV 385nm	UV 395nm	UV 405nm	Blue 450nm	Green 524nm	Red 625nm	Deep Red 660nm	IR 730nm	IR 850nm	IR 950nm	SWIR 1050nm	SWIR 1200nm	SWIR 1300nm	SWIR 1450nm	SWIR 1550nm
	-6K	-4K	-365	-385	-395	-405	-450	-524	-625	-660	-730	-850	-950	-1050	-1200	-1300	-1450	-1550



Genesi LUX®
 GENESI ELETTRONICA SRL - VIA BACHELET, 3/A - 41057 SPILAMBERTO (MO) - ITALY
info@genesi-lux.it - TEL. +39 059785566 - www.genesi-elettronica.com
 ©All Rights Reserved GENESI ELETTRONICA - GEMHR



Rev. 01/26

GEMHR Part Number

Ex. Code : **GEMHRXXX** -**YYY** -**CCC** -**WW1** -**WW3**

XXX	Base Lengths
GEMHR03	3 cm
GEMHR05	5 cm
GEMHR09	9 cm
GEMHR18	18 cm
GEMHR25	25 cm
GEMHR34	34 cm
GEMHR42	42 cm
GEMHR50	50 cm
GEMHR100	100 cm
GEMHR200	200 cm
GEMHRXXX	from 3 cm to 200 cm on demand

-YYY	Led Colours	
-6K	Base 6000K Cold White	White
-4K	4000K Natural White	
-365	UV 365 nm	UV - A
-385	UV 385 nm	
-395	UV 395 nm	
-405	UV 405 nm	
-RGB	RGB	Visible
-450	450 nm Royal Blue	
-524	524 nm Green	
-625	625 nm Red	
-660	660 nm Deep Red	
-730	730 nm IR	Nir
-850	850 nm IR	
-950	950 nm IR	
-1050	1050 nm SWIR	Swir
-1200	1200 nm SWIR	
-1300	1300 nm SWIR	
-1450	1450 nm SWIR	
-1550	1550 nm SWIR	
-YYY	Colour on demand	

-CCC	Powers
	Base 120 mA per led up to 200
-20	20 mA per led
-40	40 mA per led
-70	70 mA per led
-85	85 mA per led
-300	300 mA per led only strobe use
-RA10	Analog reg 0-10V
-RA24	Analog reg 0-24V
-CC	Current Control
-CCC	Current on demand

-WW1	Cover variants
-T	Base Transparent cover
-OP	Base Opaline cover
-OPC	Collimating filter + Opaline cover
-V	Pyrex glass 5 mm
-TP	Polarizing filter + Transparent cover
-OPP	Polarizing filter + Opaline cover
-IP67	IP67 protection degree
-WW1	Cover on demand

-WW3	Cables
	Base 2 Mt cable 2 wires
-M8	20 cm cable + M8 3P M
-M12	20 cm cable + M12 5P M
-S	2 Mt cable + logic start
-M8S	20 cm cable + M8 3P M + logic start
-M12S	20 cm cable + M12 5P M + logic start
-5M	5 Mt 2P cable
-5MS	5 Mt 3P cable + logic start
-WW3	Supply connection on demand

Not all combinations are available

Part Number Examples:

GEMHR25-6K-OP
Bar light 25cm White 6000K Opaline cover 1230Lm 340mA 8,2W 2 Mt cable 2 Wires

GEMHR50-365-250-T
Bar light 50cm UV365nm Transparent cover GE472 18 led 45° CUN66B 750mA 18W 2Mt cable 2 Wires

GEMHR180-4K-RA10-T
Bar light 180cm White 4000K Transparent cover 9450Lm 2,66 A 64W analog regulation 0-10V 2Mt cable 3 Wires



Genesi LUX®

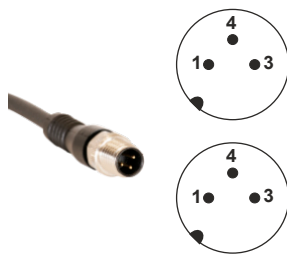
GENESI ELETTRONICA SRL - VIA BACHELET, 3/A - 41057 SPILAMBERTO (MO) - ITALY
info@genesi-lux.it - TEL. +39 059785566 - www.genesi-elettronica.com
 ©All Rights Reserved GENESI ELETTRONICA - GEMHR



Rev. 01/26

PIN OUT

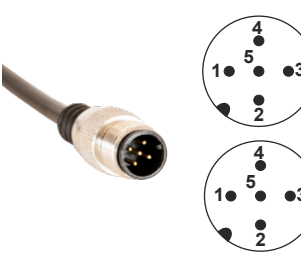
-M8 / -M8S



M8 - Male 3 Poles	
1	+24 V
3	GND
4	NC

M8S - Male 3 Poles	
1	+24 V
3	GND
4	Start

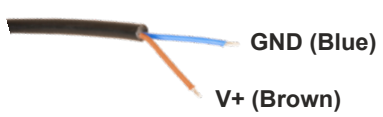
-M12 / -M12S



Under 4 A		Over 4 A	
M12 - Male 5 Poles		M12 - Male 5 Poles	
1	+24 V	1	+24 V
2	NC	2	+24 V
3	GND	3	GND
4	NC	4	NC
5	NC	5	GND

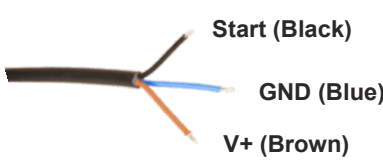
Under 4 A		Over 4 A	
M12S - Male 5 Poles		M12S - Male 5 Poles	
1	+24 V	1	+24 V
2	NC	2	+24 V
3	GND	3	GND
4	Start PNP	4	Start PNP
5	NC	5	GND

-5M / -10M



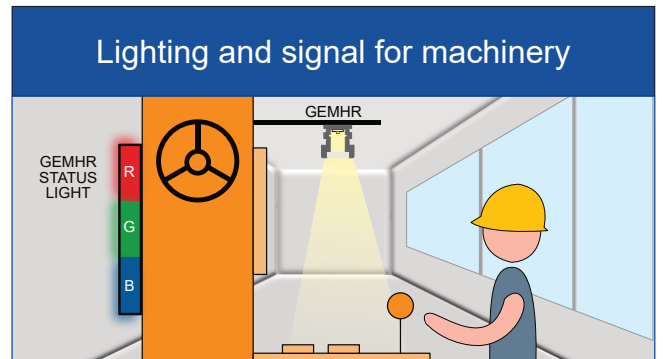
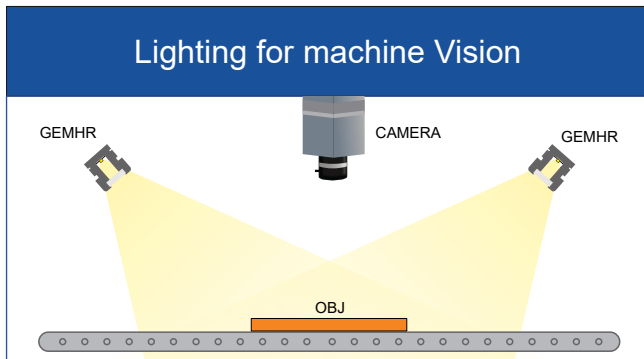
GND (Blue)
V+ (Brown)

-S / -5MS / -10MS

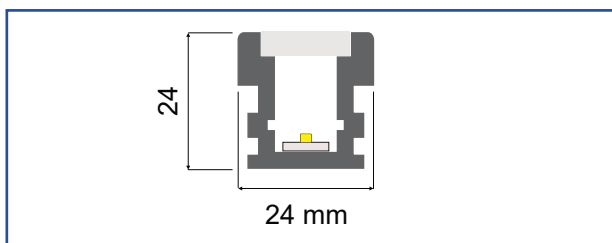


Start (Black)
GND (Blue)
V+ (Brown)

TYPICAL APPLICATIONS



MECHANICAL DRAWING

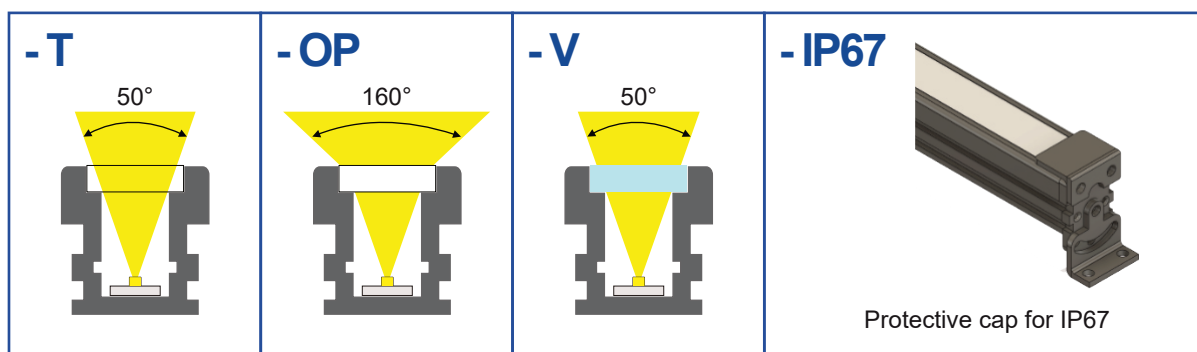


FIXING

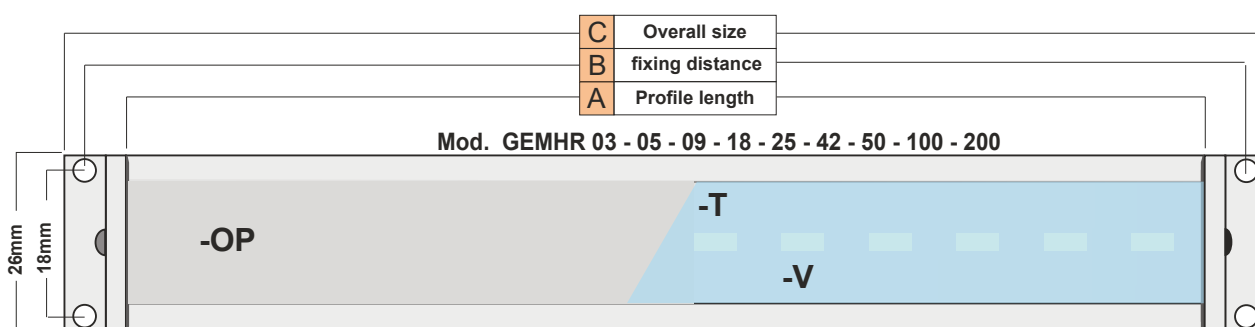


For 3D mechanical drawing requests - info@genesi-lux.it

BEAM ANGLES AND COVERS



BASE MODEL LENGTHS & POWERS



WORKING TEMPERATURE RANGE
FROM - 35°C (NO FROST) TO + 55°C

Mod.	A (mm)	B (mm)	C (mm)	Supply voltage	Supply current	Power consumption
GEMHR03	30	53	62	24Vdc +/- 10%	70mA	1,6 W
GEMHR05	50	73	82		85mA	2,0 W
GEMHR09	90	113	122		120mA	2,9 W
GEMHR18	177	200	209		230mA	5,4 W
GEMHR25	247	270	279		340mA	8,2 W
GEMHR34	340	363	372		450mA	10,8 W
GEMHR42	420	443	452		570mA	13,7 W
GEMHR50	498	521	530		680mA	16,4 W
GEMHR100	1000	1023	1032		1360mA	32,8 W
GEMHR200	2000	2023	2032		2720mA	65,6 W

GEMHRXXX from 30 mm to 2000 mm

LIGHT POWER TEST

GEMHR50-6K-T	
Working Distance	Power W/m ²
20 cm	TBD
40 cm	TBD
100 cm	TBD

GEMHR50-6K-OP	
Working Distance	Power W/m ²
20 cm	TBD
40 cm	TBD
100 cm	TBD

GEMHR50-6K-V	
Working Distance	Power W/m ²
20 cm	TBD
40 cm	TBD
100 cm	TBD

Tailor-Made

Connector	PINS	Function	Description
	1		
	2		
	3		
	4		
	5		

DEVELOP YOUR CUSTOM PRODUCT WITH OUR R&D TEAM



NEW SOLUTION

DESIGN A NEW ONE

info@genesi-lux.it



SAMPLE

TEST THE PRODUCT

info@genesi-lux.it



DOWNLOAD

TECHNICAL SPECIFICATIONS

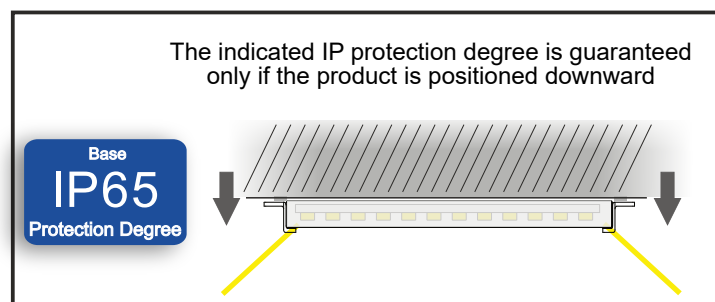
www.genesi-elettronica.com



REQUEST

THE PRICE LIST

info@genesi-lux.it



STANDARDS	
EMC immunity :	EN 61547:2009
EMC emission :	EN 55015:2019
Photobiologic risk :	EN 62471:2008 GLS:
Assessment of lighting equipment related to human exposure to electromagnetic fields	EN 62493:2015

WARNING

-Electrical device exclusively for professional use. Installation can be done by qualified personnel only.

-In case of power supply wire damage, its replacement has to be done at the head office exclusively.

Warranty loss in case of inappropriate use and tampering.



Genesi LUX®

GENESI ELETTRONICA SRL - VIA BACHELET, 3/A - 41057 SPILAMBERTO (MO) - ITALY

info@genesi-lux.it - TEL. +39 059785566 - www.genesi-elettronica.com

©All Rights Reserved GENESI ELETTRONICA - GEMHR



Organization with a certified ISO 9001:2015 Quality Management System

Rev. 01/26