



Develop  
your custom  
solution

18  
Standard  
Colours

Base  
**IP65**  
Protection Degree

**24**  
Vdc

Optional  
Polarizing  
Filter

Optional  
**IO-Link**  
External  
controller

**CE**  
RoHS

**UK  
CA**

**CULUS**  
E545377 Class 2

## Illuminator Features :

- Project achieved by internal resources and Genesi skills;
- Model with transparent and opaline covers;
- Model with 10°, 20°, 25°, 40° and 60° lenses;

COLOUR	WHITE		UV-A				VISIBLE				NIR			SWIR				
Led Colour	White 6000K	White 4000K	UV 365nm	UV 385nm	UV 395nm	UV 405nm	Blue 450nm	Green 524nm	Red 625nm	Deep Red 660nm	IR 730nm	IR 850nm	IR 950nm	SWIR 1050nm	SWIR 1200nm	SWIR 1300nm	SWIR 1450nm	SWIR 1550nm
	-6K	-4K	-365	-385	-395	-405	-450	-524	-625	-660	-730	-850	-950	-1050	-1200	-1300	-1450	-1550

# GEMX4-X6 Part Number

Ex. Code : **GEMX4-X6** -YYY -CCC -WW1 -WW3

XXX	Base Lengths
GEMX4-03	3 cm
GEMX4-05	5 cm
GEMX4-09	9 cm
GEMX4-18	18 cm
GEMX4-25	25 cm
GEMX4-50	50 cm
GEMX6-09	9 cm
GEMX6-18	18 cm
GEMX6-25	25 cm
GEMX6-50	50 cm
GEMX-XXX	from 3 cm to 100 cm on demand

XXX	Base Lengths
GEMX4S-03	3 cm
GEMX4S-05	5 cm
GEMX4S-09	9 cm
GEMX4S-18	18 cm
GEMX4S-25	25 cm
GEMX4S-50	50 cm
GEMX6S-09	9 cm
GEMX6S-18	18 cm
GEMX6S-25	25 cm
GEMX6S-50	50 cm
GEMX-XXX	from 3 cm to 100 cm on demand

-YYY	Led Colours	
-6K	Base 6000K Cold White	White
-4K	4000K Natural White	
-365	UV 365 nm	UV - A
-385	UV 385 nm	
-395	UV 395 nm	
-405	UV 405 nm	
-RGB	RGB	Visible
-RGBYW	RGBYW	
-450	450 nm Royal Blue	
-524	524 nm Green	
-625	625 nm Red	
-660	660 nm Deep Red	
-730	730 nm IR	
-850	850 nm IR	
-950	950 nm IR	
-1050	1050 nm SWIR	Swir
-1200	1200 nm SWIR	
-1300	1300 nm SWIR	
-1450	1450 nm SWIR	
-1550	1550 nm SWIR	
-YYY	Colour on demand	

-CCC	Powers
	Base 120 mA per led up to 200
-20	20 mA per led
-40	40 mA per led
-70	70 mA per led
-85	85 mA per led
-300	300 mA per led only strobe use
-RA10	Analog reg 0-10V
-RA24	Analog reg 0-24V
-CC	Current Control
-CCC	Current on demand

-WW1	Cover variants
-T	Base Transparent cover
-OP	Base Opaline cover
-L10	10° lens
-L20	20° lens + transparent cover
-L25	25° lens
-L40	40° lens + transparent cover
-L60	60° lens + transparent cover
-TP	Polarizing filter + Transparent cover
-WW1	Cover on demand

-WW3	Cables
	Base 2 Mt cable 2 wires
-M8	20 cm cable + M8 3P M
-M12	20 cm cable + M12 5P M
-S	2 Mt cable + logic start
-M8S	20 cm cable + M8 3P M + logic start
-M12S	20 cm cable + M12 5P M + logic start
-5M	5 Mt 2P cable
-5MS	5 Mt 3P cable + logic start
-WW3	Supply connection on demand

Not all combinations are available

## Part Number Examples:

### GEMX4-18-6K-OP

Bar light square composition 18cm White 6000K Opaline cover  
3240Lm 920mA 21,6W 2Mt cable 2 Wires

### GEMX6-05-524-OP-S

Bar light hexagonal composition 5cm Green G524 Opaline cover  
480mA 12 W 2Mt cable 3 P + logic start

### GEMX4-18X9-6K-OP-S

Bar light square composition 18 cm x 9 cm White 6000K Opaline cover  
2400Lm 700mA 16W 2Mt 3 poles + logic start UL

Design & Production  
Made in Italy



**Genesi LUX**

GENESI ELETTRONICA SRL - VIA BACHELET, 3/A - 41057 SPILAMBERTO (MO) - ITALY

[info@genesi-lux.it](mailto:info@genesi-lux.it) - TEL. +39 059785566 - [www.genesi-elettronica.com](http://www.genesi-elettronica.com)

©All Rights Reserved GENESI ELETTRONICA - GEMX4-X6

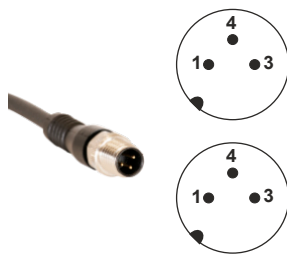


Organization with a  
certified ISO 9001:2015  
Quality Management System

Rev. 01/26

# PIN OUT

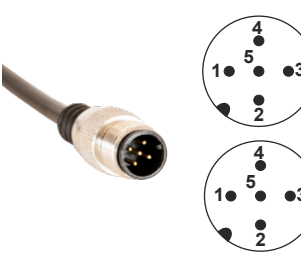
### -M8 / -M8S



M8 - Male 3 Poles	
1	+24 V
3	GND
4	NC

M8S - Male 3 Poles	
1	+24 V
3	GND
4	Start

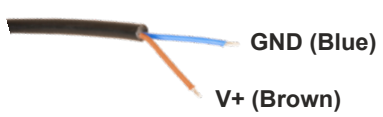
### -M12 / -M12S



Under 4 A		Over 4 A	
M12 - Male 5 Poles		M12 - Male 5 Poles	
1	+24 V	1	+24 V
2	NC	2	+24 V
3	GND	3	GND
4	NC	4	NC
5	NC	5	GND

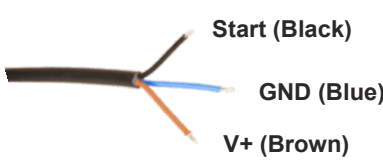
Under 4 A		Over 4 A	
M12S - Male 5 Poles		M12S - Male 5 Poles	
1	+24 V	1	+24 V
2	NC	2	+24 V
3	GND	3	GND
4	Start PNP	4	Start PNP
5	NC	5	GND

### -5M / -10M



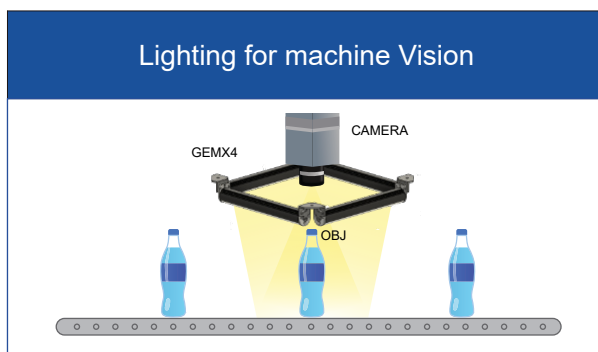
GND (Blue)  
V+ (Brown)

### -S / -5MS / -10MS

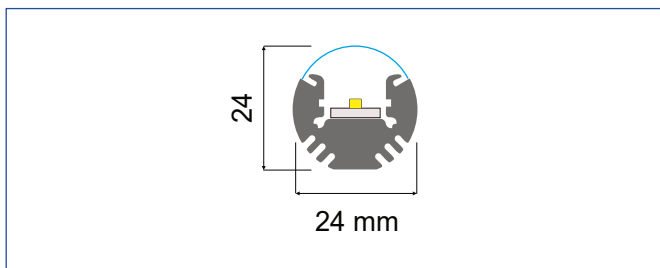


Start (Black)  
GND (Blue)  
V+ (Brown)

## TYPICAL APPLICATIONS



### MECHANICAL DRAWING

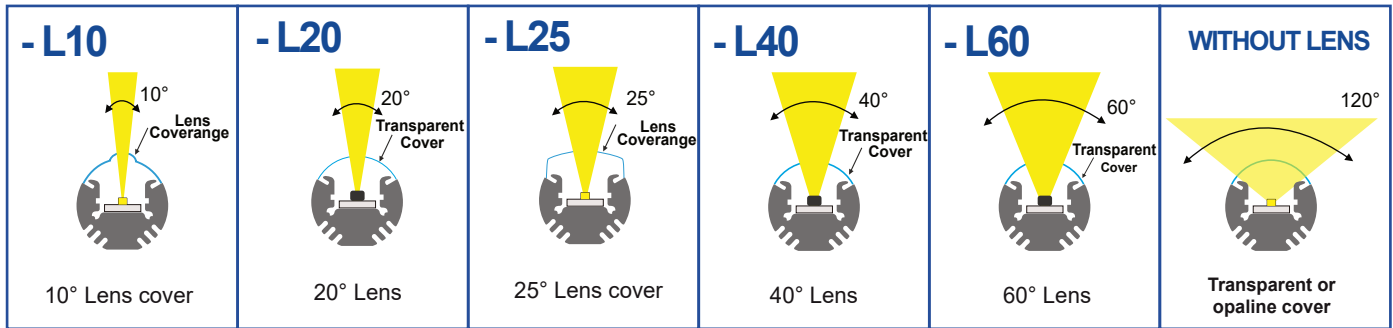


### FIXING

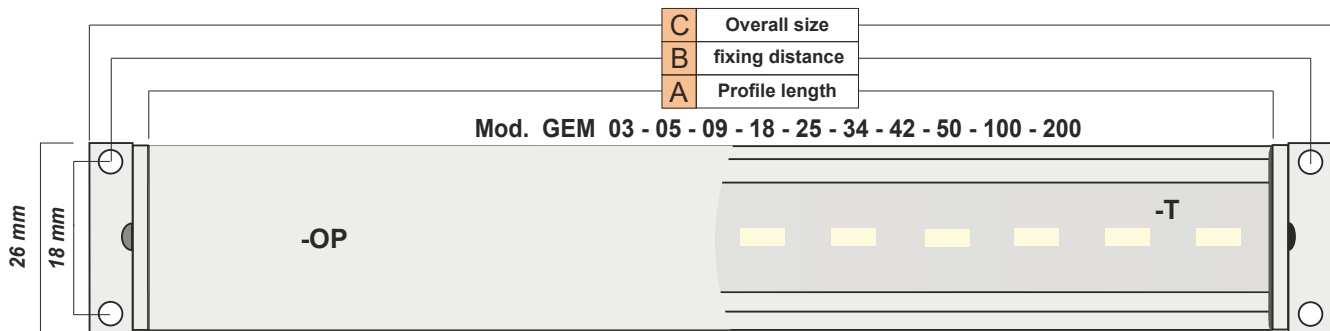


For 3D mechanical drawing requests - [info@genesi-lux.it](mailto:info@genesi-lux.it)

# BEAM ANGLES



# BASE MODEL LENGTHS & POWERS



**WORKING TEMPERATURE RANGE**  
FROM - 35°C (NO FROST) TO + 55°C

Mod.	A ( mm )	B ( mm )	C ( mm )	Supply voltage	Supply current	Power consumption
GEM03	30	50	59	24/vdc +/- 10%	70mA	1,6 W
GEM05	50	70	70		85mA	2,0 W
GEM09	89	110	119		120mA	2,9 W
GEM18	176	197	206		230mA	5,4 W
GEM25	246	267	276		340mA	8,2 W
GEM34	340	361	370		450mA	10,8 W
GEM42	419	440	449		570mA	13,7 W
GEM50	497	518	527		680mA	16,4 W
GEM100	999	1020	1029		1360mA	32,8 W
GEM200	1999	2020	2029		2720mA	65,6 W

**GEMXXX from 30 mm to 6000 mm**

# LIGHT POWER TEST

Transparent



GEMX4-25-6K-T	
Working Distance	Power W/m <sup>2</sup>
20 cm	TBD
40 cm	TBD
100 cm	TBD

Opaline



GEMX4-25-6K-OP	
Working Distance	Power W/m <sup>2</sup>
20 cm	TBD
40 cm	TBD
100 cm	TBD

## Tailor-Made

Connector	PINS	Function	Description
	1		
	2		
	3		
	4		
	5		

**DEVELOP YOUR CUSTOM PRODUCT WITH OUR R&D TEAM**



### NEW SOLUTION

DESIGN A NEW ONE

[info@genesi-lux.it](mailto:info@genesi-lux.it)



### SAMPLE

TEST THE PRODUCT

[info@genesi-lux.it](mailto:info@genesi-lux.it)



### DOWNLOAD

TECHNICAL SPECIFICATIONS

[www.genesi-elettronica.com](http://www.genesi-elettronica.com)

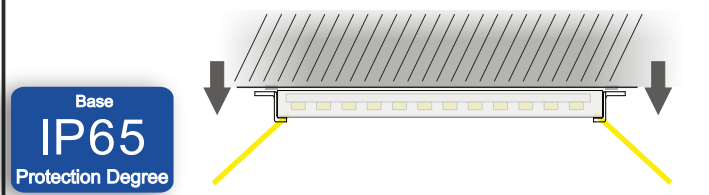


### REQUEST

THE PRICE LIST

[info@genesi-lux.it](mailto:info@genesi-lux.it)

The indicated IP protection degree is guaranteed only if the product is positioned downward



### STANDARDS

EMC immunity :	EN 61547:2009	
EMC emission :	EN 55015:2019	
Photobiologic risk :	EN 62471:2008 GLS:	
Assessment of lighting equipment related to human exposure to electromagnetic fields	EN 62493:2015	

### WARNING

-Electrical device exclusively for professional use. Installation can be done by qualified personnel only.

-In case of power supply wire damage, its replacement has to be done at the head office exclusively.

Warranty loss in case of inappropriate use and tampering.



Design & Production  
Made in Italy



**Genesi LUX**

GENESI ELETTRONICA SRL - VIA BACHELET, 3/A - 41057 SPILAMBERTO (MO) - ITALY

[info@genesi-lux.it](mailto:info@genesi-lux.it) - TEL. +39 059785566 - [www.genesi-elettronica.com](http://www.genesi-elettronica.com)

©All Rights Reserved GENESI ELETTRONICA - GEMX4-X6



Organization with a  
certified ISO 9001:2015  
Quality Management System

Rev. 01/26