



- Develop your custom solution
- 13 Standard Colours
- Base IP65 Protection Degree
- 24 Vdc
- Optional Polarizing Filter
- CE RoHS
- UK CA
- FC

Illuminator Features :

- Project achieved by internal resources and Genesi skills;
- Model with transparent, satin and opaline covers;
- Model with two wires, M8,M12 with or without fast start (PNP);

COLOUR	WHITE		UV-A				VISIBLE				NIR		
Led Colour	White 6000K	White 4000K	UV 365nm	UV 385nm	UV 395nm	UV 405nm	Blue 450nm	Green 524nm	Red 625nm	Deep Red 660nm	IR 730nm	IR 850nm	IR 950nm
	-6K	-4K	-365	-385	-395	-405	-450	-524	-625	-660	-730	-850	-950

GEST Part Number

Ex. Code : **GESTXXX** -**YYY** -**CCC** -**WW1** -**WW2**

XXX	Base Diameters	-YYY	Led Colours	-CCC	Powers	-WW1	Cover variants
Exposed Leds		-6K	Base 6000K Cold White		Base 50 mA per led GEST42-74-120		Base IP20 exposed Leds GEST42-74-120
GEST42	42 mm	-4K	4000K Natural White		Base 50 mA per led GEST44-76-122		Base without lens GEST44-76-122-76-100
GEST74	74 mm	-365	UV 365 nm		Base 300 mA per led GEST76	-T	Transparent cover
GEST120	120 mm	-385	UV 385 nm		Base 500 mA per led GEST100	-OP	Opaline cover
With cover		-395	UV 395 nm	-30	30 mA per led	-ST	Satin cover
GEST44	44 mm	-405	UV 405 nm	-100	100 mA per led	-L20	20° lens, transparent cover
GEST76	76 mm	-450	450 nm Royal Blue	-1A	1 A per led	-L40	40° lens, transparent cover
GEST122	122 mm	-524	524 nm Green	-2A	2 A per led	-L60	60° lens, transparent cover
With lens + cover		-625	625 nm Red	-CCC	Current on demand	-P	Polarizing filter cover
GEST76	76 mm	-660	660 nm Deep Red			-OPP	Polarizing filter + Opaline cover
GEST100	100 mm	-730	730 nm IR			-WW1	Cover on demand
GESTXXX	Diameter on demand	-850	850 nm IR				
		-950	950 nm IR				
		-YYY	Colour on demand				

-WW2	Cables
	Base 2 Mt cable 2 wires
-M8	20 cm cable + M8 3P M
-M12	20 cm cable + M12 5P M
-S	2 Mt cable + logic start
-M8S	20 cm cable + M8 3P M + logic start
-M12S	20 cm cable + M12 5P M + logic start
-5M	5 Mt 2P cable
-5MS	5 Mt 3P cable + logic start
-WW3	Supply connection on demand

Not all combinations are available

Part Number Examples:

GEST100-6K-L20

Ring light 100mm diameter White 6000K 20° Lens cover 1800Lm 500mA 12W 2Mt cable 2 Wires

GEST42-625-M8

Ring light 42mm diameter no cover IP20 Red 625nm 150mA 3,6W 20cm cable M8 3 poles

GEST76-6K-OP-M8S

Ring light 76mm diameter White 6000K Opaline cover IP65 1080Lm 300mA 7,2W 20cm M8 3 poles + logic start

Design & Production
Made in Italy



Genesi LUX

GENESI ELETTRONICA SRL - VIA BACHELET, 3/A - 41057 SPILAMBERTO (MO) - ITALY

info@genesi-lux.it - TEL. +39 059785566 - www.genesi-elettronica.com

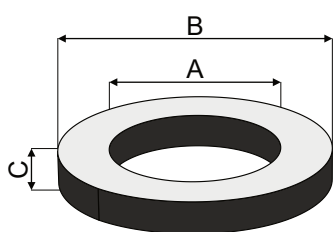
©All Rights Reserved GENESI ELETTRONICA - GEST



Organization with a certified ISO 9001:2015 Quality Management System

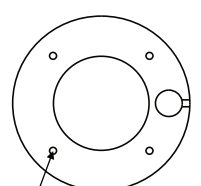
Rev. 01/26

MECHANICAL DRAWING



XXX	A	B	C
GEST42	10	42	10
GEST74	43	74	
GEST120	75	120	
GEST44	8	44	25
GEST76	41	76	
GEST122	73	122	
GEST76	41	76	
GEST100	50	100	

FIXING



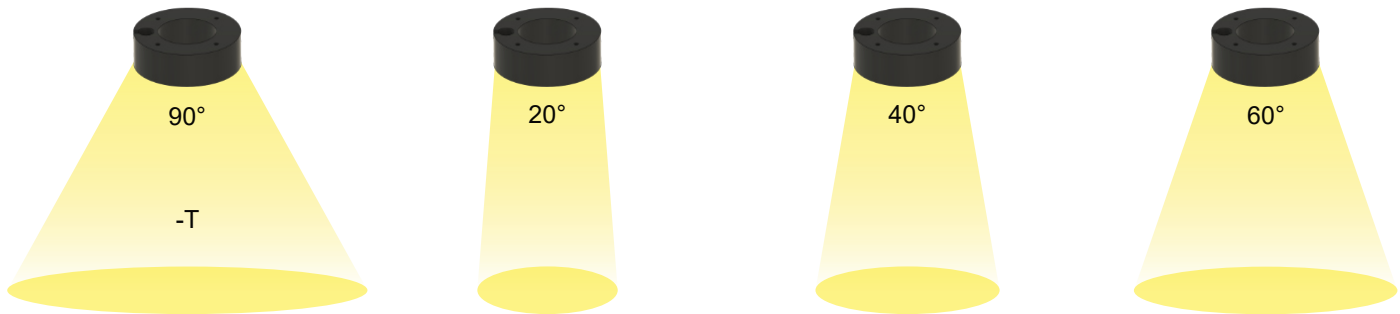
Rear fixing: 5 mm M3

For 3D mechanical drawing requests - info@genesi-lux.it

BEAM ANGLES

EXPOSED LEDS	WITHOUT LENS	- T	-OP / -ST	- L20	- L40	- L60
120°	90°	90°	120°	20° Lens	40° Lens	60° Lens

LIGHT PROJECTION



- T		
Working distance	Power W/m ²	Uniform area diameter
8 cm	TBD	TBD
20 cm	TBD	TBD
50 cm	TBD	TBD

-L20		
Working distance	Power W/m ²	Uniform area diameter
40 cm	TBD	TBD
100 cm	TBD	TBD
200 cm	TBD	TBD

-L40		
Working distance	Power W/m ²	Uniform area diameter
30 cm	TBD	TBD
50 cm	TBD	TBD
100 cm	TBD	TBD

-L60		
Working distance	Power W/m ²	Uniform area diameter
15 cm	TBD	TBD
50 cm	TBD	TBD
100 cm	TBD	TBD

-OP		
Working distance	Power W/m ²	Uniform area diameter
8 cm	TBD	TBD
20 cm	TBD	TBD
50 cm	TBD	TBD

Powers related to the white colour with homogeneity ± 10%

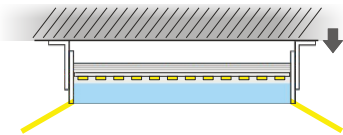
Tailor-Made

Connector	PINS	Function	Description
M12 Male	1		
	2		
	3		
	4		
	5		

DEVELOP YOUR CUSTOM PRODUCT WITH OUR R&D TEAM

The indicated IP protection degree is guaranteed only if the product is positioned downward

Base
IP65
Protection Degree



NEW SOLUTION

DESIGN A NEW ONE

info@genesi-lux.it



SAMPLE

TEST THE PRODUCT

info@genesi-lux.it



DOWNLOAD

TECHNICAL SPECIFICATIONS

www.genesi-elettronica.com



REQUEST

THE PRICE LIST

info@genesi-lux.it

STANDARDS

EMC immunity :	EN 61547:2009	
EMC emission :	EN 55015:2019	
Photobiologic risk :	EN 62471:2008 GLS:	
Assessment of lighting equipment related to human exposure to electromagnetic fields	EN 62493:2015	

WARNING

-Electrical device exclusively for professional use. Installation can be done by qualified personnel only.
-In case of power supply wire damage, its replacement has to be done at the head office exclusively.

Warranty loss in case of inappropriate use and tampering.



Design & Production
Made in Italy



Genesi LUX®

GENESI ELETTRONICA SRL - VIA BACHELET, 3/A - 41057 SPILAMBERTO (MO) - ITALY

info@genesi-lux.it - TEL. +39 059785566 - www.genesi-elettronica.com

©All Rights Reserved GENESI ELETTRONICA - GEST



Organization with a
certified ISO 9001:2015
Quality Management System

Rev. 01/26