

develop your custom solution	Over 18 Standard Colours	Base IP54 Protection Degree	Variant IP65 Protection Degree	Variant IP67 Protection Degree
24 Vdc	Optional Collimating Filter	CE RoHS	UK CA	FC

Illuminator Features :

- Project achieved by internal resources and Genesi skills;
- Model with satin, semi-opaline black or opaline covers;

COLOUR	WHITE		UV-A				VISIBLE				NIR			SWIR					
Led Colour	White 6000K -6K	White 4000K -4K	UV 365nm -365	UV 385nm -385	UV 395nm -395	UV 405nm -405	Blue 450nm -450	Green 524nm -524	Red 625nm -625	Deep Red 660nm -660	IR 730nm -730	IR 850nm -850	IR 950nm -950	SWIR 1050nm -1050	SWIR 1200nm -1200	SWIR 1300nm -1300	SWIR 1450nm -1450	SWIR 1550nm -1550	SWIR 1650nm -1650

GEVXB Part Number

Ex. Code : **GEVXBXXX** -**YYY** -**CCC** -**WW1** -**WW2**

XXX	Base Lengths	-YYY	Led Colours	EN 62471	-CCC	Powers	-WW1	Cover variants	
GEVXB06	6 cm	-6K	Base 6000K Cold White	White	UD	70 mA per led ULTRA DENSITY		Base satin cover	
GEVXB10	10 cm	-4K	4000K Natural White	White	HD	85 mA per led HIGH DENSITY	-OP	Opaline cover	
GEVXB16	16 cm	-365	UV 365 nm	UV - A	XD	300 mA per led POWER LED	-OPB	Semi-opaline black cover	
GEVXB20	20 cm	-385	UV 385 nm		RISK3	YD	2A per LED ONLY STROBE USE	-IP65	Satin cover + 3M - IP65
GEVXB28	28 cm	-395	UV 395 nm			-CCC	Current on demand	-IP67	Satin cover + 3M - IP67 UP TO 1 METER
GEVXB34	34 cm	-405	UV 405 nm					-OPC	Collimating filter + Opaline cover
GEVXB42	42 cm	-RGB	RGB	Visible			-WW1	Cover on demand	
GEVXB50	50 cm	-450	450 nm Royal Blue		RISK1				
GEVXB100	100 cm	-524	524 nm Green						
GEVXB200	200 cm	-625	625 nm Red						
GEVXBXXX	from 3 cm to 600 cm on demand	-660	660 nm Deep Red	Nir					
		-730	730 nm IR		RISK2				
		-850	850 nm IR						
		-950	950 nm IR						
		-1050	1050 nm SWIR	Swir					
		-1200	1200 nm SWIR		RISK2				
		-1300	1300 nm SWIR						
		-1450	1450 nm SWIR						
		-1550	1550 nm SWIR						
		-1650	1650 nm SWIR						
		-YYY	Colour on demand						

Up to 2 different colours in a single light

Not all combinations are available

Part Number Examples:

GEVXB20-6K-UD
Power backlight 20 cm White 6000K satin cover -UD CS GE411 70mA per led 2000Lm 560mA 13,4W 2Mt cable 2 Wires

GEVXB140-850-70
Power backlight 140 cm led IR 850nm satin cover SC GE366 2,38 A 57W 2Mt cable 2 Wires

GEVXB350-625-500-IP65
Power backlight 350cm led RED 625nm satin cover CS GE490 10,5 A 252W IP65 2Mt 2 cables 2 Wires



Genesi LUX®

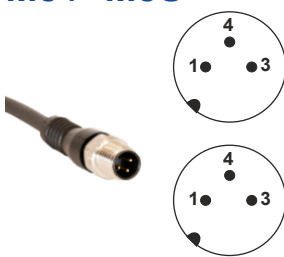
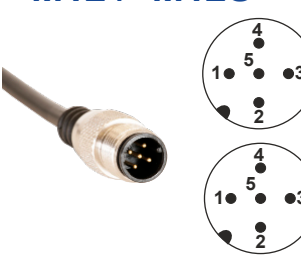
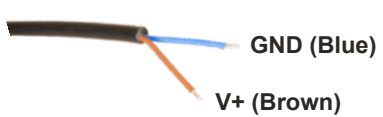
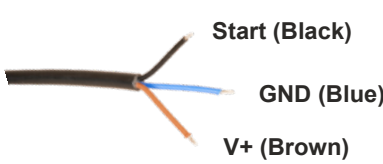
GENESI ELETTRONICA SRL - VIA BACHELET, 3/A - 41057 SPILAMBERTO (MO) - ITALY
info@genesi-lux.it - TEL. +39 059785566 - www.genesi-elettronica.com
 ©All Rights Reserved GENESI ELETTRONICA - GEVXB BACKLIGHT



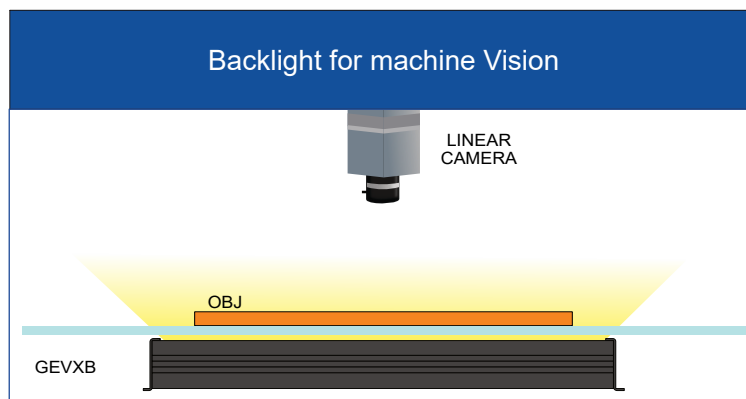
Organization with a certified ISO 9001:2015 Quality Management System

Rev. 01/26

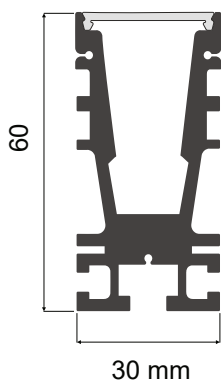
PIN OUT

<p>-M8 / -M8S</p>  <table border="1" data-bbox="429 232 644 336"> <thead> <tr> <th colspan="2">M8 - Male 3 Poles</th> </tr> </thead> <tbody> <tr><td>1</td><td>+24 V</td></tr> <tr><td>3</td><td>GND</td></tr> <tr><td>4</td><td>NC</td></tr> </tbody> </table> <table border="1" data-bbox="429 371 644 476"> <thead> <tr> <th colspan="2">M8S - Male 3 Poles</th> </tr> </thead> <tbody> <tr><td>1</td><td>+24 V</td></tr> <tr><td>3</td><td>GND</td></tr> <tr><td>4</td><td>Start</td></tr> </tbody> </table>	M8 - Male 3 Poles		1	+24 V	3	GND	4	NC	M8S - Male 3 Poles		1	+24 V	3	GND	4	Start	<p>-M12 / -M12S</p>  <table border="1" data-bbox="1015 185 1239 336"> <thead> <tr> <th colspan="2">Under 4 A</th> </tr> <tr> <th colspan="2">M12 - Male 5 Poles</th> </tr> </thead> <tbody> <tr><td>1</td><td>+24 V</td></tr> <tr><td>2</td><td>NC</td></tr> <tr><td>3</td><td>GND</td></tr> <tr><td>4</td><td>NC</td></tr> <tr><td>5</td><td>NC</td></tr> </tbody> </table> <table border="1" data-bbox="1255 185 1478 336"> <thead> <tr> <th colspan="2">Over 4 A</th> </tr> <tr> <th colspan="2">M12 - Male 5 Poles</th> </tr> </thead> <tbody> <tr><td>1</td><td>+24 V</td></tr> <tr><td>2</td><td>+24 V</td></tr> <tr><td>3</td><td>GND</td></tr> <tr><td>4</td><td>NC</td></tr> <tr><td>5</td><td>GND</td></tr> </tbody> </table> <table border="1" data-bbox="1015 348 1239 499"> <thead> <tr> <th colspan="2">Under 4 A</th> </tr> <tr> <th colspan="2">M12S - Male 5 Poles</th> </tr> </thead> <tbody> <tr><td>1</td><td>+24 V</td></tr> <tr><td>2</td><td>NC</td></tr> <tr><td>3</td><td>GND</td></tr> <tr><td>4</td><td>Start PNP</td></tr> <tr><td>5</td><td>NC</td></tr> </tbody> </table> <table border="1" data-bbox="1255 348 1478 499"> <thead> <tr> <th colspan="2">Over 4 A</th> </tr> <tr> <th colspan="2">M12S - Male 5 Poles</th> </tr> </thead> <tbody> <tr><td>1</td><td>+24 V</td></tr> <tr><td>2</td><td>+24 V</td></tr> <tr><td>3</td><td>GND</td></tr> <tr><td>4</td><td>Start PNP</td></tr> <tr><td>5</td><td>GND</td></tr> </tbody> </table>	Under 4 A		M12 - Male 5 Poles		1	+24 V	2	NC	3	GND	4	NC	5	NC	Over 4 A		M12 - Male 5 Poles		1	+24 V	2	+24 V	3	GND	4	NC	5	GND	Under 4 A		M12S - Male 5 Poles		1	+24 V	2	NC	3	GND	4	Start PNP	5	NC	Over 4 A		M12S - Male 5 Poles		1	+24 V	2	+24 V	3	GND	4	Start PNP	5	GND
M8 - Male 3 Poles																																																																									
1	+24 V																																																																								
3	GND																																																																								
4	NC																																																																								
M8S - Male 3 Poles																																																																									
1	+24 V																																																																								
3	GND																																																																								
4	Start																																																																								
Under 4 A																																																																									
M12 - Male 5 Poles																																																																									
1	+24 V																																																																								
2	NC																																																																								
3	GND																																																																								
4	NC																																																																								
5	NC																																																																								
Over 4 A																																																																									
M12 - Male 5 Poles																																																																									
1	+24 V																																																																								
2	+24 V																																																																								
3	GND																																																																								
4	NC																																																																								
5	GND																																																																								
Under 4 A																																																																									
M12S - Male 5 Poles																																																																									
1	+24 V																																																																								
2	NC																																																																								
3	GND																																																																								
4	Start PNP																																																																								
5	NC																																																																								
Over 4 A																																																																									
M12S - Male 5 Poles																																																																									
1	+24 V																																																																								
2	+24 V																																																																								
3	GND																																																																								
4	Start PNP																																																																								
5	GND																																																																								
<p>-5M / -10M</p>  <p>GND (Blue) V+ (Brown)</p>	<p>-S / -5MS / -10MS</p>  <p>Start (Black) GND (Blue) V+ (Brown)</p>																																																																								

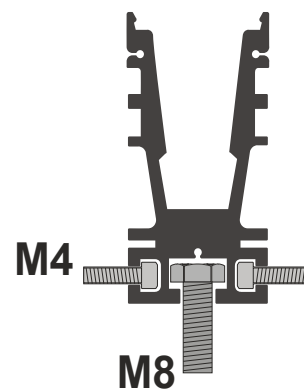
TYPICAL APPLICATIONS



MECHANICAL DRAWING

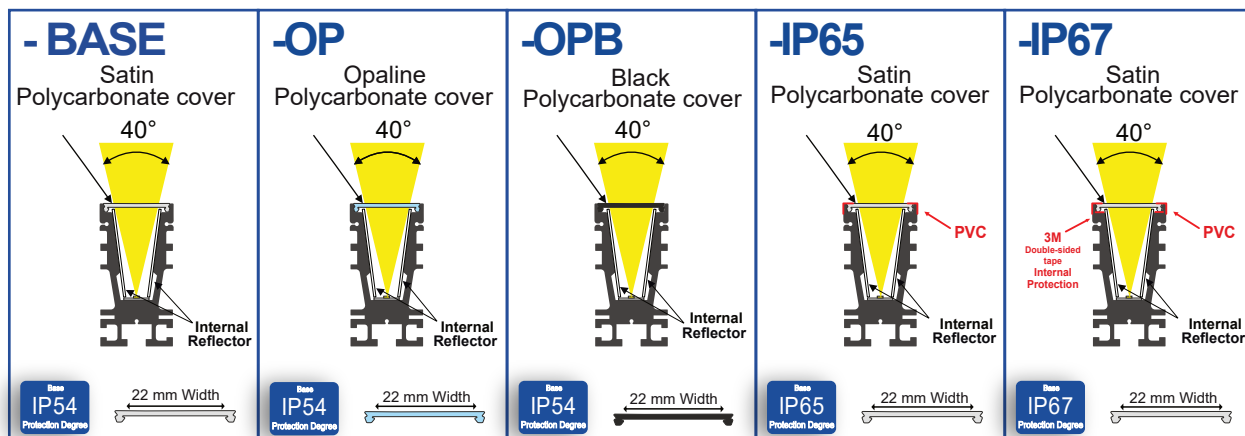


FIXING



For 3D mechanical drawing requests - info@genesi-lux.it

BEAM ANGLES AND COVERS

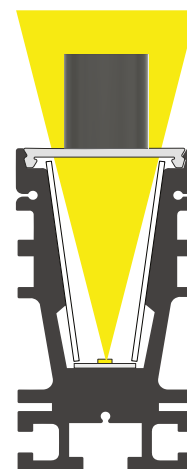
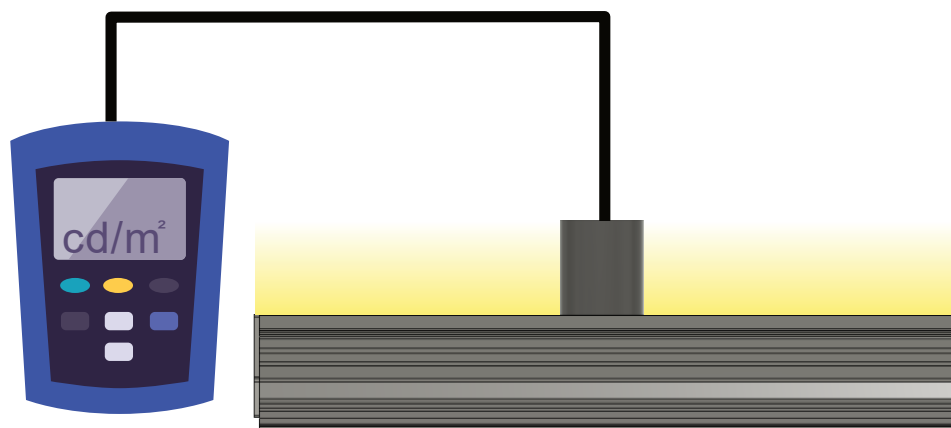


LIGHT PROJECTION

GEVXB34-6K-UD-M12	
Working Distance	Luminance cd/m ² Continuous Use
On Surface	100.000

GEVXB34-6K-UD-OP-M12	
Working Distance	Luminance cd/m ² Continuous Use
On Surface	65.000

GEVXB34-6K-UD-OPB-M12	
Working Distance	Luminance cd/m ² Continuous Use
On Surface	25.000



Tailor-Made

Connector	PINS	Function	Description
	1		
	2		
	3		
	4		
	5		

DEVELOP YOUR CUSTOM PRODUCT WITH OUR R&D TEAM



NEW SOLUTION

DESIGN A NEW ONE
info@genesi-lux.it



SAMPLE

TEST THE PRODUCT
info@genesi-lux.it



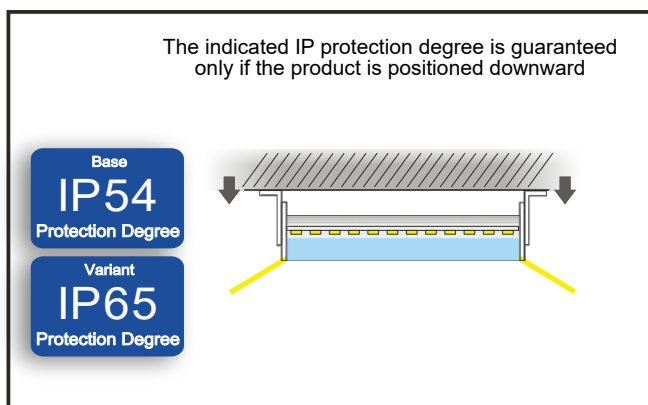
DOWNLOAD

TECHNICAL SPECIFICATIONS
www.genesi-elettronica.com



REQUEST

THE PRICE LIST
info@genesi-lux.it



STANDARDS		
EMC immunity :	EN 61547:2009	
EMC emission :	EN 55015:2019	
Photobiologic risk :	EN 62471:2008 GLS:	
Assessment of lighting equipment related to human exposure to electromagnetic fields	EN 62493:2015	

WARNING

-Electrical device exclusively for professional use. Installation can be done by qualified personnel only.
-In case of power supply wire damage, its replacement has to be done at the head office exclusively.

Warranty loss in case of inappropriate use and tampering.



Design & Production
Made in Italy



Genesi LUX®

GENESI ELETTRONICA SRL - VIA BACHELET, 3/A - 41057 SPILAMBERTO (MO) - ITALY
info@genesi-lux.it - TEL. +39 059785566 - www.genesi-elettronica.com
©All Rights Reserved GENESI ELETTRONICA - GEVXB BACKLIGHT



Organization with a certified ISO 9001:2015 Quality Management System

Rev. 01/26