

LED STATUS

Led Status	Internal controller with 4 driving modes
1	100% Continuous use
2	200% Semi-continuous use
3	400% Strobe use
4	10-100% Analog Reg

Internal Controller with
4 driving modes



M12 5P Male Connector	
Pin 1	+24V
Pin 2	Start NPN < 1 to 0V
Pin 3	GND
Pin 4	Start PNP > 3 to 24V
Pin 5	1-10V Analog Reg.

develop your custom solution

18
Standard Colours

Base
IP65
Protection Degree

Variant
IP67
Protection Degree

24
Vdc

Optional Polarizing Filter

CE
RoHS

UK
CA

FC

Illuminator Features :

- Project achieved by internal resources and Genesi skills;
- Fast controller which allows to have the following modes: continuous use, semi-continuous use, strobe (PNP, NPN), analog regulation;
- Microcontroller to monitor the pulse duration and the maximum temperature;
- Model with 10°, 30°, 60° Lenses or transparent, satin and opaline covers;
- Powerful and Fast strobe mode with energy buffering and strobe duration control, min. pulse from 3 μs;

COLOUR	WHITE		UV-A				VISIBLE				NIR			SWIR				
	White 6000K	White 4000K	UV 365nm	UV 385nm	UV 395nm	UV 405nm	Blue 450nm	Green 524nm	Red 625nm	Deep Red 660nm	IR 730nm	IR 850nm	IR 950nm	SWIR 1050nm	SWIR 1200nm	SWIR 1300nm	SWIR 1450nm	SWIR 1550nm
Led Colour	-6K	-4K	-365	-385	-395	-405	-450	-524	-625	-660	-730	-850	-950	-1050	-1200	-1300	-1450	-1550
Continuous use power	100 %		175 %				200 %				200 %			200 %				
Semi-continuous use power	200 %		175 %				200 %				200 %			180 %				
Strobe use power	400 %		330 %				400 %				400 %			400 %				



Genesi LUX®

GENESI ELETTRONICA SRL - VIA BACHELET, 3/A - 41057 SPILAMBERTO (MO) - ITALY
info@genesi-lux.it - TEL. +39 059785566 - www.genesi-elettronica.com
 ©All Rights Reserved GENESI ELETTRONICA - GP - GENESI POWER BAR



Rev. 01/26

GP Part Number

Ex. Code : **GPXXX** -**YYY** -**WW1** -**WW2**

XXX	Base Lengths
GP06	6 cm
GP12	12 cm
GP23	23 cm
GP36	36 cm
GP46	46 cm
GP56	56 cm
GP66	66 cm
GPXXX	From 6 cm to 300 cm on demand

-YYY	Led Colours		EN 62471
-6K	Base 6000K Cold White	White	RISK1
-4K	4000K Natural White		
-365	UV 365 nm	UV - A	RISK3
-385	UV 385 nm		
-395	UV 395 nm		
-405	UV 405 nm		
-450	450 nm Royal Blue	Visible	RISK2
-524	524 nm Green		RISK1
-625	625 nm Red		
-660	660 nm Deep Red		
-730	730 nm IR	Nir	RISK2
-850	850 nm IR		
-950	950 nm IR		
-1050	1050 nm SWIR	Swir	RISK2
-1200	1200 nm SWIR		
-1300	1300 nm SWIR		
-1450	1450 nm SWIR		
-1550	1550 nm SWIR		
-YYY	Colour on demand		

-WW1	Cover variants
-T	Base Trasparent cover
-OP	Base Opaline cover BACKLIGHT FUNCTION
-ST	Satin cover
-T67	Transparent cover IP67
-L10	10° lens, trasparente cover
-L30	30° lens, trasparente cover
-L60	60° lens, trasparente cover
-45T	45° Lens + Transparent Cover <small>only UV-A</small>
-TP	Polarizing filter + Trasparent cover ONLY STROBE USE
-WW1	Cover on demand

-WW2	Cables
	20cm cable + M12 5P M
-WW2	Cable on demand

Not all combinations are available

Part Number Examples:

GP23-6K-T

Power bar 4 Driving Modes 23 cm White 6000K Transparent cover
2160/14400Lm 0,6/4A 14/96W 20cm cable M12 M 5P

GP36-365-45T


Power bar 4 Driving Modes 36 cm UV365nm 45° lens + transparent
Cover 0,9/2,7A 22/65W 20cm cable M12 M 5P

GP102-850-OP

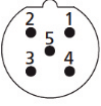
Power bar & backlight 4 Driving Modes 102 cm IR 850nm Opaline
cover 1/3,2A 24/77W 20cm cable M12 M 5P

OPERATING MODE

100% CONTINUOUS USE


Connector	PINS	Function	Description
	1	+24 V	A) START NPN → PIN2: 0 to 1 V; B) START PNP → PIN4: 3 to 24 V; For the continuous use: it is possible to connect PIN4 directly to +24 V or PIN2 to GND
	2	A) Start NPN: 0-1 V	
	3	GND	
	4	B) Start PNP: 3-24 V	
	5	-	

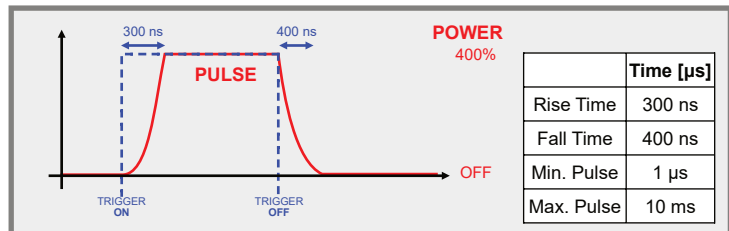
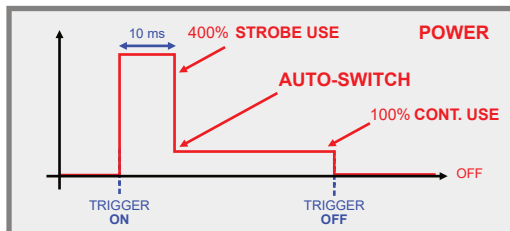
200 % SEMI-CONTINUOUS USE

Connector	PINS	Function	Description
	1	+24 V	Precondition: PIN5: 24 V A) START NPN → PIN2: 0 to 1 V; B) START PNP → PIN4: 3 to 24 V; In this mode → Ton_{max} = 60 s - Dt_{max} = 50% For the semi-continuous use: it is possible to connect PIN4 directly to +24 V or PIN2 to GND. To use it in continuous mode with DT _{max} from 51% to 100%: it is necessary to use the heat sink or forced ventilation.
	2	A) Start NPN: 0-1 V	
	3	GND	
	4	B) Start PNP: 3-24 V	
	5	+24 V	


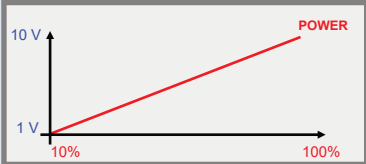
400% STROBE USE



Connector	PINS	Function	Description
	1	+24 V	A) START NPN → PIN2: 0 to 1 V; B) START PNP → PIN4: 3 to 24 V; In this mode → Ton_{max} = 10 ms - Dt_{max} = 10% AUTO-SWITCH in continuous use.
	2	A) Start NPN: 0-1 V	
	3	GND	
	4	B) Start PNP: 3-24 V	
	5	-	



ANALOG REGULATION USE 100%

Connector	PINS	Function	Description
	1	+24 V	PIN5 from 1 to 10 V can adjust the power from 10% to 100%. 
	2	-	
	3	GND	
	4	-	
	5	1 V - 10 V	



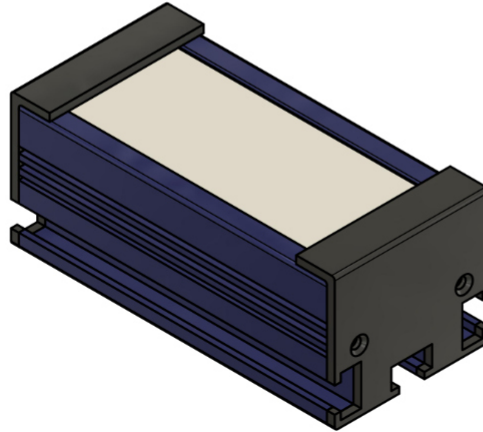
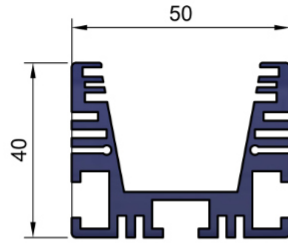
400% STROBE USE POWER can be reached only from WHITE / VISIBLE / NIR LEDs, for other wavelengths check the power table at page 1.



MicroController temperature protection → at 80°C the PCB enables the protection and restores the functioning at T < 60°C.

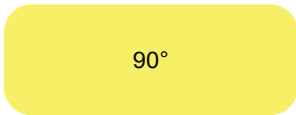
MECHANICAL DRAWING

Scale	Unit of measurement
1:2	mm
Weight GP12	
275 g	
Weight GP23	
430 g	
Weight GP66	
1.243 Kg	

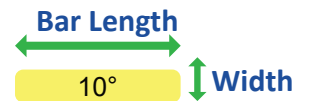
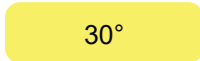
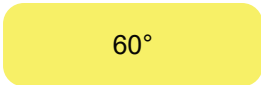


For 3D mechanical drawing requests - info@genesi-lux.it

LIGHT PROJECTION



- T		
Working distance	Width mm	Power W/m ²
20 cm	TBD	TBD
40 cm	TBD	TBD
100 cm	TBD	TBD



- ST		
Working distance	Width mm	Power W/m ²
20 cm	TBD	TBD
40 cm	TBD	TBD
100 cm	TBD	TBD

- L60		
Working distance	Width mm	Power W/m ² Continuous-Semi-cont.-Strobe
20 cm	TBD	TBD
40 cm	TBD	TBD
100 cm	TBD	TBD

- L30		
Working distance	Width mm	Power W/m ² Continuous-Semi-cont.-Strobe
20 cm	70	270-480-1080
40 cm	160	126-224-504
100 cm	380	28-50-112

- L10		
Working distance	Width mm	Power W/m ² Continuous-Semi-cont.-Strobe
20 cm	50	430-790-1580
40 cm	110	230-430-860
100 cm	200	95-173-346

- OP		
Working distance	Width mm	Power W/m ² Continuous-Semi-cont.-Strobe
20 cm	270	19-37-74
40 cm	540	5,3-10,4-21
100 cm	1300	1-1,8-3,6

- OP BACKLIGHT FUNCTION	
Working Distance	Luminance cd/m ² Continuous-Semi-cont.-Strobe
On Surface	48.000-88.000-115.000
homogeneity ± 5% for width 35 mm	

Powers related to the white colour homogeneity: ± 5%



Genesi LUX®

GENESI ELETTRONICA SRL - VIA BACHELET, 3/A - 41057 SPILAMBERTO (MO) - ITALY
info@genesi-lux.it - TEL. +39 059785566 - www.genesi-elettronica.com
 ©All Rights Reserved GENESI ELETTRONICA - GP - GENESI POWER BAR

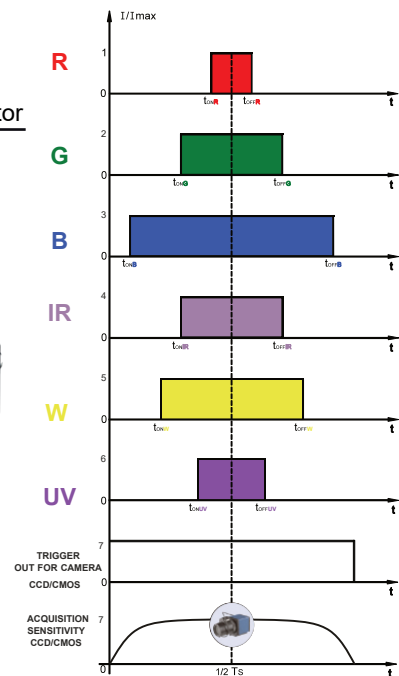
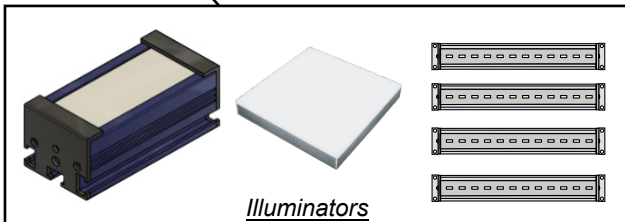
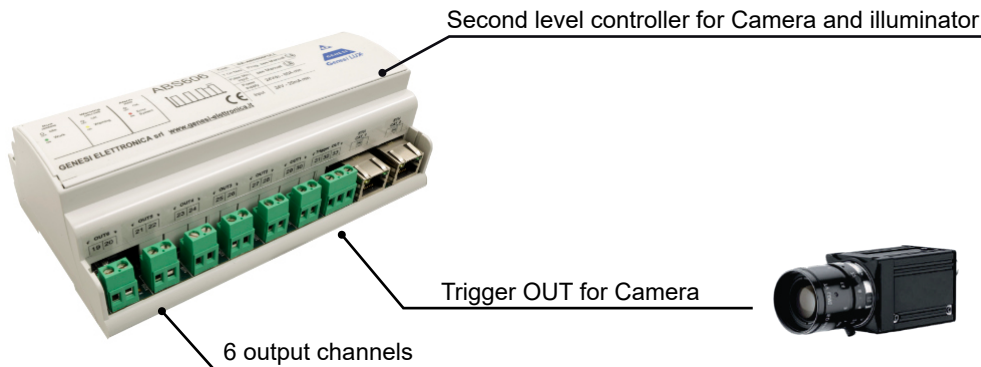
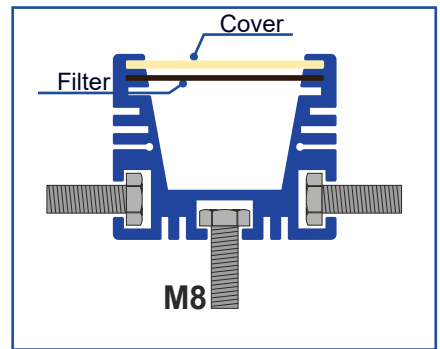
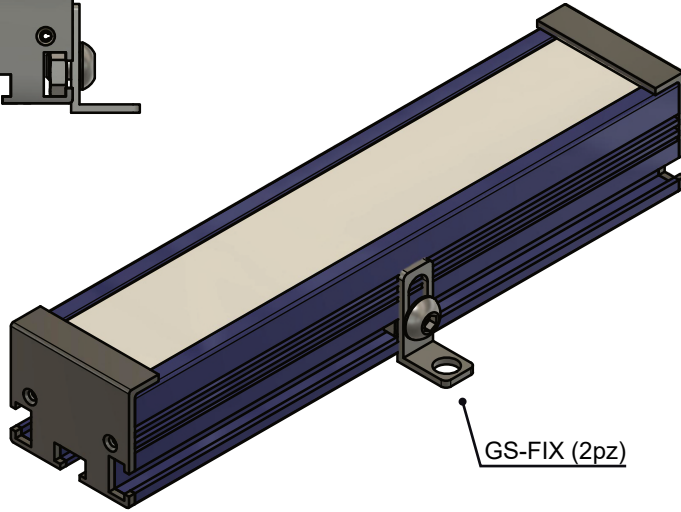
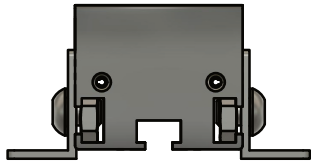


Organization with a certified ISO 9001:2015 Quality Management System

Rev. 01/26

ACCESSORIES

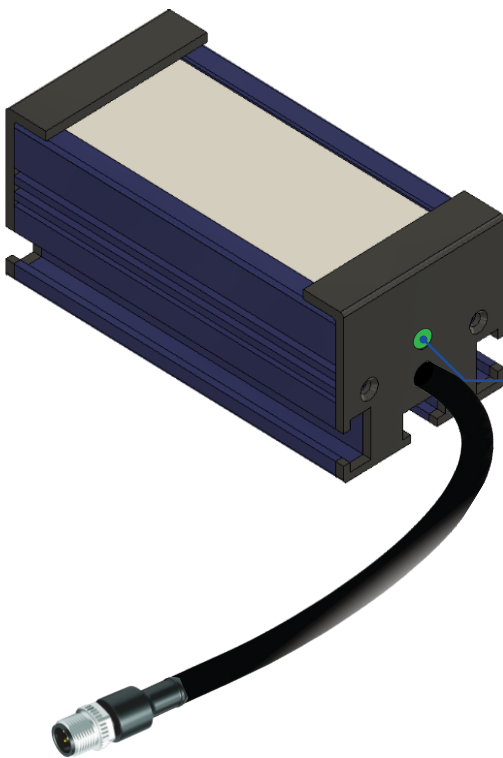
CODE	DESCRIPTION
GS-FIX	GP / IMB-SPOT fixing kit (2pz)
GE-M12F-5X050-2M	M12 connector 2 meter long female PVC cable
GE-M12F-5X050-5M	M12 connector 5 meter long female PVC cable
GE-M12F-5X050-10M	M12 connector 10 meter long female PVC cable
GE-ABS606E	LED Voltage Controller with 6 programmable channels and 10/100 Ethernet. Second level controller for Camera and illuminator.



Tailor-Made

Connector	PINS	Function	Description
M12 Male	1		
	2		
	3		
	4		
	5		

DEVELOP YOUR CUSTOM PRODUCT WITH OUR R&D TEAM

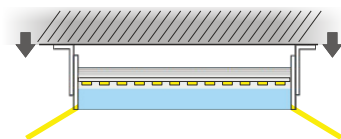


LED STATUS

Mode	Led colour signal	Function/note
Powered	Blue	-
100% Continuous use	Green	-
0-100% Analog Reg	Yellow	-
400% Strobe Use	Fast blinking green	-
200% Semi-continuous use standby	Purple	Without PNP or NPN input only +24V analog IN
200% Semi-continuous use	Slow blinking purple	With PNP or NPN input +24V analog IN
Over 10% ton error	Fast blinking red	10 sec stop
Over 80° temperature in pcb controller	Slow blinking green-yellow-red	Up to < 60° stop

The indicated IP protection degree is guaranteed only if the product is positioned downward

Base
IP65
Protection Degree



STANDARDS

EMC immunity :	EN 61547:2009	
EMC emission :	EN 55015:2019	
Photobiologic risk :	EN 62471:2008 GLS: RISK 1	Only for white light, continuous use
Assessment of lighting equipment related to human exposure to electromagnetic fields	EN 62493:2015	

WARNING

-Electrical device exclusively for professional use. Installation can be done by qualified personnel only.
-In case of power supply wire damage, its replacement has to be done at the head office exclusively.

Warranty loss in case of inappropriate use and tampering.



Design & Production
Made in Italy



Genesi LUX®

GENESI ELETTRONICA SRL - VIA BACHELET, 3/A - 41057 SPILAMBERTO (MO) - ITALY
info@genesi-lux.it - TEL. +39 059785566 - www.genesi-elettronica.com
©All Rights Reserved GENESI ELETTRONICA - GP - GENESI POWER BAR



Organization with a certified ISO 9001:2015 Quality Management System

Rev. 01/26