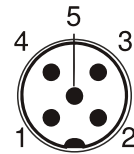
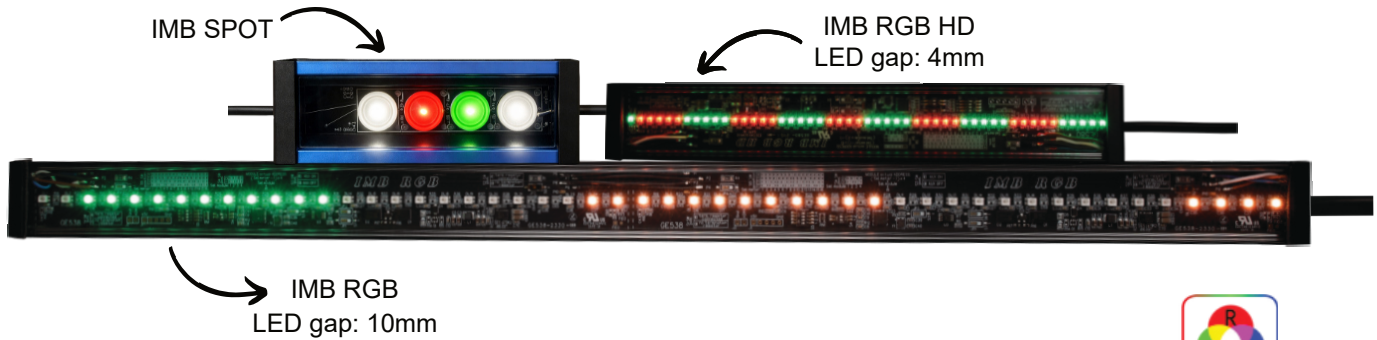


IMB

INDUSTRIAL METRIC LED BAR



Develop your custom solution

24
Vdc

Base
IP54
Protection Degree
IMB-SPOT

Base
IP65
Protection Degree
IMB

CE
RoHS

UK
CA

FC

EtherNET
External controller

Optional
IO-Link
External controller

Optional
EtherCAT
External controller

M12 5P Male Connector	
Pin 1	+24V
Pin 2	RS485 -
Pin 3	GND
Pin 4	RS485 +
Pin 5	NC

IMB Features :

- Project achieved by internal resources and Genesi skills;
- LEDs definition: 10 mm or 4mm; LEDs colour: RGB;
- Length up to 16 mt;
- Model with transparent, satin or opaline covers;

IMB-SPOT Features :

- Project achieved by internal resources and Genesi skills;
- RGB colours combining white 6K, red 625nm, green 524nm and blue 450nm;
- Model with 10°, 30°, 60° lenses or transparent cover & plastic protective cap;
- 3 dimmable channels with the option of simultaneous switching on, allowing colours to be mixed;
- Daisy Chain up to 16 illuminators;
- Refer to the RS485 protocol document to control the illuminators chain;

Programmable led bar for industrial applications:

- Machine loading indicator
- Industry 4.0 compatible
- Led light signal
- Machine, cobot or industrial plant position indicators
- Product tracing after machine vision



Genesi LUX®

GENESI ELETTRONICA SRL - VIA BACHELET, 3/A - 41057 SPILAMBERTO (MO) - ITALY
info@genesi-lux.it - TEL. +39 059785566 - www.genesi-elettronica.com
 ©All Rights Reserved GENESI ELETTRONICA - IMB



Organization with a certified ISO 9001:2015 Quality Management System

Rev. 02/26

IMB Part Number

Ex. Code : **IMBXXX** -**YYY** -**WW1** -**WW2**

XXX	RGB Base Lengths
IMB25	25 cm
IMB50	50 cm
IMB100	100 cm
IMB200	200 cm
IMB300	300 cm
IMB400	400 cm
IMBXXX	from 25 cm to 1600* cm on demand

-YYY	Led Colours		
-RGB	RGB	10 mm STEP	Visible

-WW1	IMB Cover variants
-OP	Base Opaline cover
-T	Base Transparent cover
-ST	Satin cover
-OPB	Black opaline cover
-WW1	Cover on demand

-WW2	IMB Fixing variants
-US	Base Rear cable + rear fixing
-UL	Side cable + rear fixing
-UA	Axial cable + base fixing
-WW2	Fixing variants on demand

XXX	RGBHD Base Lengths
IMB20	20 cm
IMB40	40 cm
IMB100	100 cm
IMB200	200 cm
IMBXXX	from 20 cm to 400 cm on demand

-YYY	Led Colours		
-RGBHD	RGBHD	4 mm STEP	Visible

-WW1	IMB-SPOT Cover variants
-T	Base Transparent cover
-L10	10° lens + transparent cover
-L30	30° lens + transparent cover
-L60	60° lens + transparent cover
-WW1	Cover on demand

IMB-SPOT	Base Lengths
IMB-SPOT	19 cm
IMBXXX	Dimensions on demand

-YYY	Led Colours				
-WRGW	W	R	G	W	Visible
-RGBR	R	G	B	R	Visible
-BRGB	B	R	G	B	Visible
-GRBG	G	R	B	G	Visible

*The maximum length is 16Mt with modular parts whose maximum length is 4Mt.

Not all combinations are available

Part Number Examples:

IMB100-RGB-T-US

Industrial metric bar light 100cm RGB transparent cover 1A 24W Rear fixing & cable 20cm M12 5P M + F

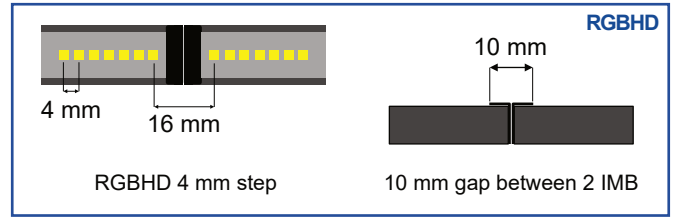
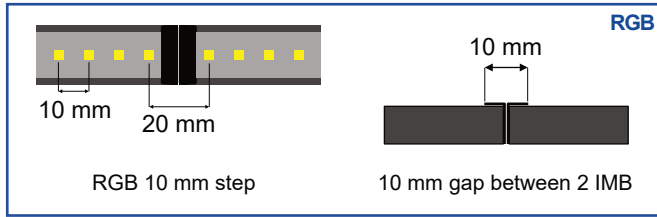
IMB400-RGB-T-UA

Industrial metric bar light 400cm RGB transparent cover 4A 96W Front fixing & cable 20cm M12 5P M + F

IMB-SPOT-WRGW-T-UA

Industrial metric bar light SPOT 120° White-Red-Green-White transparent cover 0,4A 9W cable 20cm M12 5P M + F

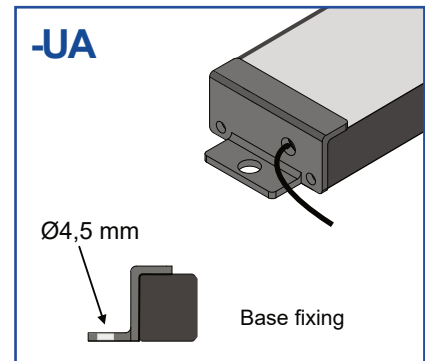
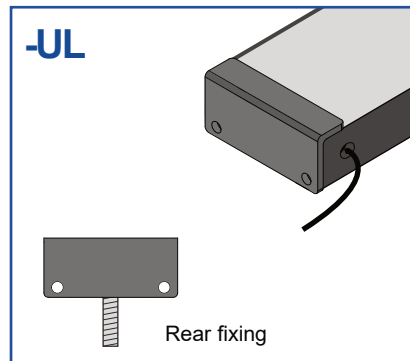
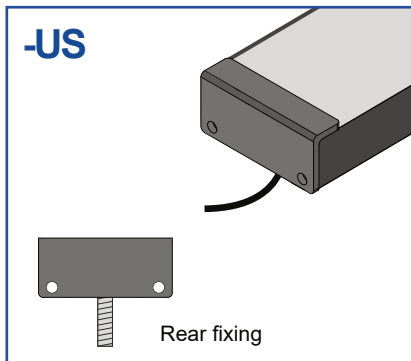
IMB LEDS PLACEMENT



IMB LIGHT INTENSITY TEST

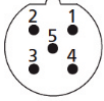
IMB 6K 120°					
-T			-OP		
Power W/m ²	Working Distance	Lx	Power W/m ²	Working Distance	Lx
20	20 cm	1260 lux	20	20 cm	700 lux
20	40 cm	620 lux	20	40 cm	340 lux
20	100 cm	190 lux	20	100 cm	110 lux

IMB FIXING



IMB-SPOT OPERATING MODE

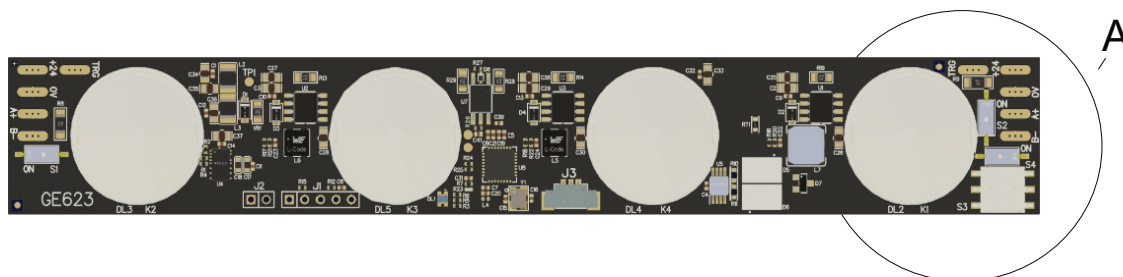
CONTINUOUS USE

Connector	PINS	Function	Description
M12 Male / Female	1	+24 V	Connect a second power supply (+24V, GND) to the last output for daisy chain with more than 10 illuminators
	2	RS485 -	
	3	GND	
	4	RS485 +	
	5	NC	

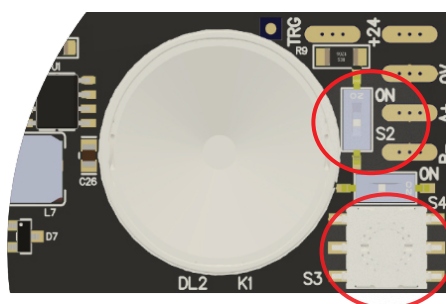
IMB-SPOT ROTATING SWITCH (TO CHANGE ADDRESS)

By accessing the port covered with a cap, the device address can be configured by rotating the S3 rotaryswitch with a screwdriver from position “0” to position “F” (16 available addresses);

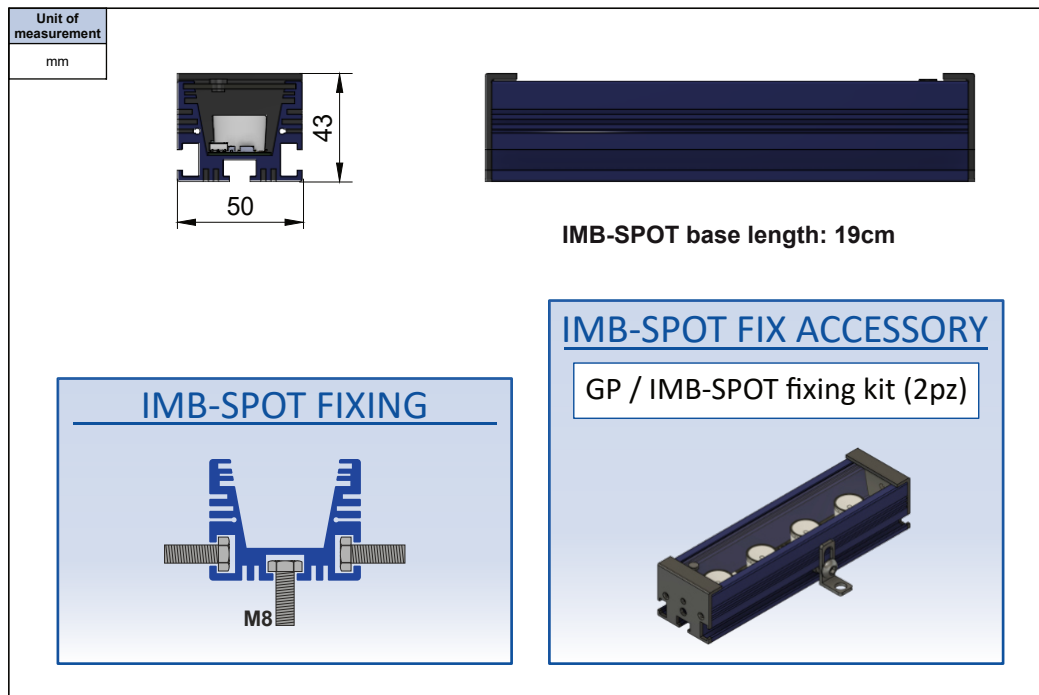
You must enable the RS485 termination on the last illuminator in the chain: set switch S2 to position “1” (“ON” as indicated on the PCB).



A (2:1)

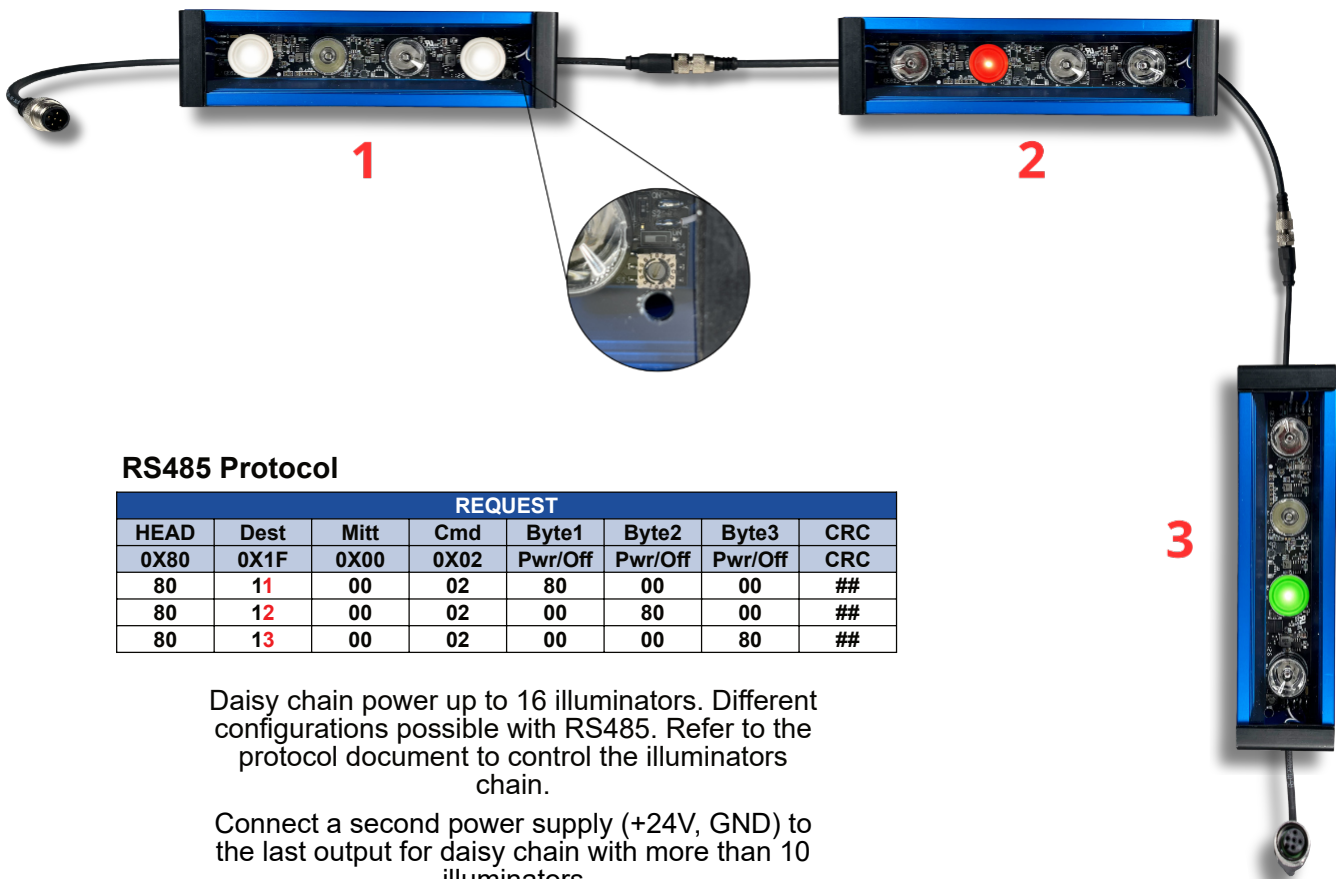


IMB-SPOT MECHANICAL DRAWING



For 3D mechanical drawing requests - info@genesi-lux.it

IMB-SPOT DAISY CHAIN



RS485 Protocol

REQUEST							
HEAD	Dest	Mitt	Cmd	Byte1	Byte2	Byte3	CRC
0X80	0X1F	0X00	0X02	Pwr/Off	Pwr/Off	Pwr/Off	CRC
80	11	00	02	80	00	00	##
80	12	00	02	00	80	00	##
80	13	00	02	00	00	80	##

Daisy chain power up to 16 illuminators. Different configurations possible with RS485. Refer to the protocol document to control the illuminators chain.

Connect a second power supply (+24V, GND) to the last output for daisy chain with more than 10 illuminators

ACCESSORIES

CODE	DESCRIPTION
GEILD-FIX-3D	GEILD / IMB fixing plint for -US, -UL applications (Rear fixing), black ASA 3D printed
IMB-M12-CAP-F	M12 female connector cap
GS-FIX	GP / IMB-SPOT fixing kit (2pz)

CABLE EXTENSION

CODE	DESCRIPTION
GE-M12M-5X050-2M	Male extension PVC cable 5P 2Mt 0,5mm ² + M12 5P male
GE-M12M-5X050-5M	Male extension PVC cable 5P 5Mt 0,5mm ² + M12 5P male
GE-M12M-5X050-10M	Male extension PVC cable 5P 10Mt 0,5mm ² + M12 5P male
GE-M12F-5X050-5M	Female extension PVC cable 5P 2Mt 0,5mm ² + M12 5P female
GE-M12F-5X050-2M	Female extension PVC cable 5P 5Mt 0,5mm ² + M12 5P female
GE-M12F-5X050-10M	Female extension PVC cable 5P 10Mt 0,5mm ² + M12 5P female

Tailor-Made

Connector	PINS	Function	Description
M12 Male	1		
	2		
	3		
	4		
	5		

DEVELOP YOUR CUSTOM PRODUCT WITH OUR R&D TEAM



NEW SOLUTION

DESIGN A NEW ONE

info@genesi-lux.it



SAMPLE

TEST THE PRODUCT

info@genesi-lux.it



DOWNLOAD

TECHNICAL SPECIFICATIONS

www.genesi-elettronica.com



REQUEST

THE PRICE LIST

info@genesi-lux.it

STANDARDS		
EMC immunity :	EN 61547:2009	
EMC emission :	EN 55015:2019	
Photobiologic risk :	EN 62471:2008 GLS: RISK 0	
Assessment of lighting equipment related to human exposure to electromagnetic fields	EN 62493:2015	

WARNING

-Electrical device exclusively for professional use. Installation can be done by qualified personnel only.

-In case of power supply wire damage, its replacement has to be done at the head office exclusively.

Warranty loss in case of inappropriate use and tampering.



Genesi LUX®

GENESI ELETTRONICA SRL - VIA BACHELET, 3/A - 41057 SPILAMBERTO (MO) - ITALY

info@genesi-lux.it - TEL. +39 059785566 - www.genesi-elettronica.com

©All Rights Reserved GENESI ELETTRONICA - IMB



Organization with a certified ISO 9001:2015 Quality Management System

Rev. 02/26