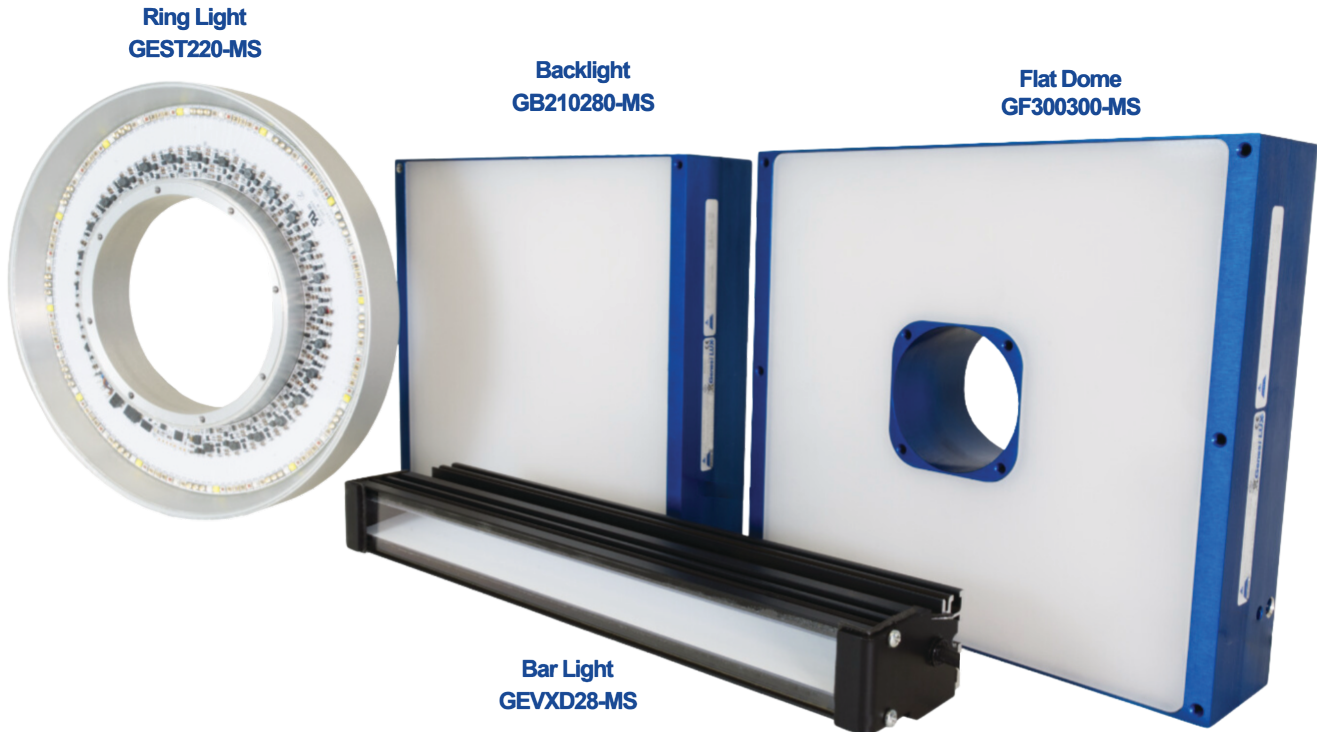
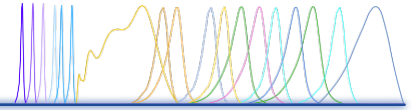


MULTISPECTRAL LIGHTING



Develop your custom solution

Base IP54 Protection Degree GEVD

Base IP65 Protection Degree GEST-GB-GF

CE RoHS

24 Vdc

UK CA

Optional EtherNET External controller

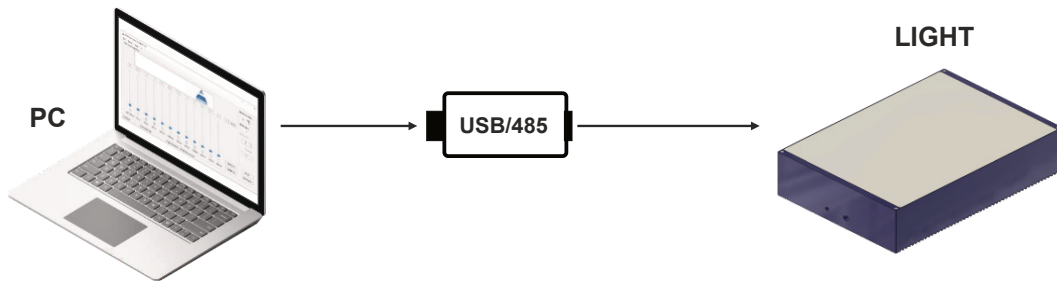
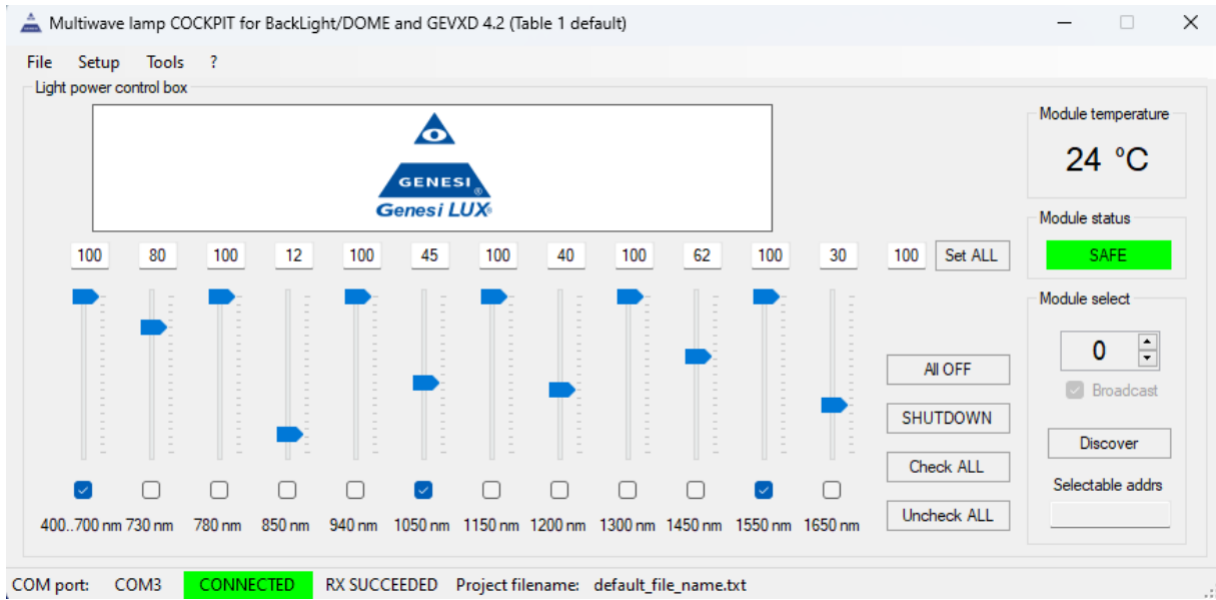
Optional EtherCAT External controller

Optional IO-Link External controller

Illuminator Features :

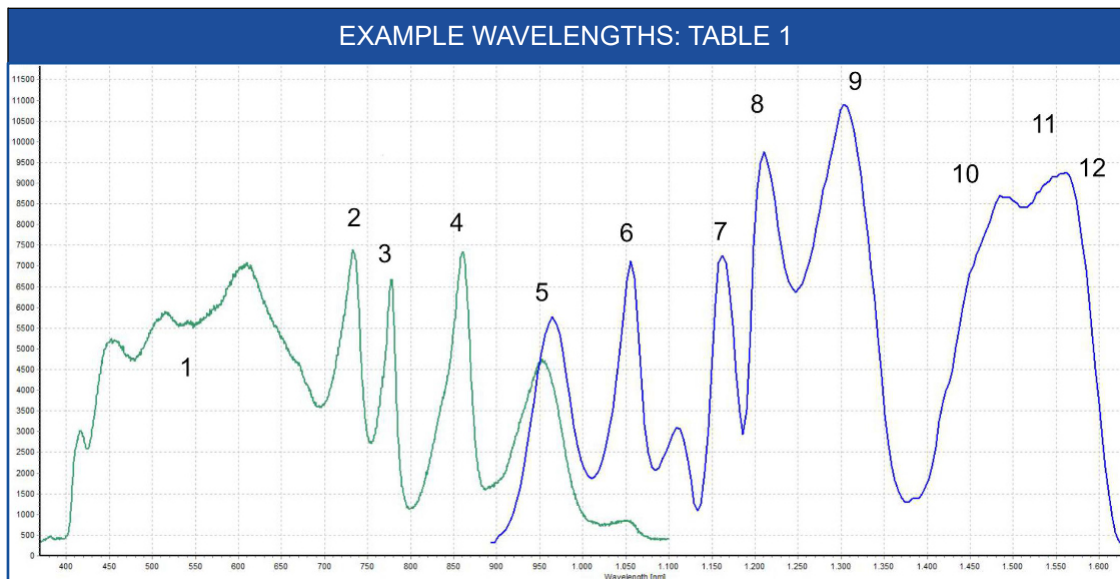
- project achieved by internal resources and Genesi skills;
- types of leds and powers in table from 1 to 6 or custom → 12 separate channels;
- power supply cable: 20 cm, RS 485, M12 male connector, 5 poles;
- external converter from RS485 to USB + GENESI custom software for PC (Windows);

Custom software for PC included.



Application:

- Useful in all the prototype machineries where it is necessary to understand which is the most suitable lighting for a particular object, with a single illuminator;
- Useful in all the production machineries that analyze different products on a single line, since that with a single illuminator it is possible to have up to 12 different wavelengths;
- Useful in analysis laboratories where it is necessary to highligh material samples using particular wavelengths;



Genesi LUX®
 GENESI ELETTRONICA SRL - VIA BACHELET, 3/A - 41057 SPILAMBERTO (MO) - ITALY
info@genesi-lux.it - TEL. +39 059785566 - www.genesi-elettronica.com
 ©All Rights Reserved GENESI ELETTRONICA - MULTISPECTRAL LIGHTING



Rev. 01/26

Multispectral Part Number

Ex. Code : **MODELXXX-MS-YYY-ZZZ**

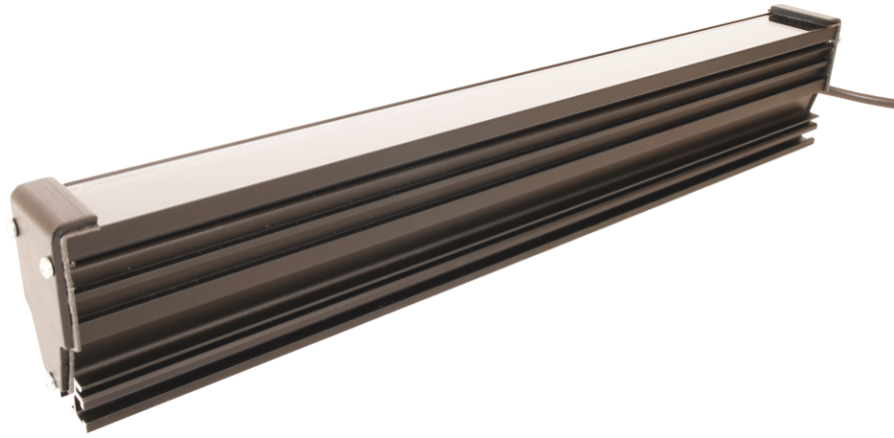
XXX	Base Length	
Bar Light		
GEVXD28	28 cm	
XXX	Base Diameter	
Ring Light		
GEST220	22 cm	
XXX	Lengths	Heights
Backlight		
GB210280	21 cm	28 cm
Flat Dome		
GF300300	30 cm	30 cm
GXXX	Dimensions on demand	

-YYY-ZZZ	TABLES	EN 62471
-400-1650	Base TABLE 1	RISK 2
-365-980	Base TABLE 2	RISK 3
-RGB-1550	Base TABLE 3	RISK 2
-400-1900	Base TABLE 4	RISK 2
-265-450	Base TABLE 5	RISK 3
-255-450	Base TABLE 6	RISK 3
-YYY-ZZZ	Table on demand	

TABLES

LED position N°18 for each position	BASE TABLES						CUSTOM TABLE
	TABLE 1 WAVELENGTHS	TABLE 2 WAVELENGTHS	TABLE 3 WAVELENGTHS	TABLE 4 WAVELENGTHS	TABLE 5 WAVELENGTHS	TABLE 6 WAVELENGTHS	TABLE XXX WAVELENGTHS
1	400-700 nm	365 nm	450 nm	400-700 nm	265 nm	255 nm	nm
2	730 nm	385 nm	520 nm	730 nm	275 nm	265 nm	nm
3	780 nm	395 nm	625 nm	780 nm	285 nm	275 nm	nm
4	850 nm	400-700 nm	400-700 nm	850 nm	297 nm	285 nm	nm
5	940 nm	450 nm	730 nm	940 nm	308 nm	297 nm	nm
6	1050 nm	520 nm	850 nm	1050 nm	345 nm	308 nm	nm
7	1150 nm	625 nm	940 nm	1200 nm	365 nm	345 nm	nm
8	1200 nm	730 nm	1050 nm	1300 nm	385 nm	365 nm	nm
9	1300 nm	780 nm	1200 nm	1450 nm	395 nm	385 nm	nm
10	1450 nm	850 nm	1300 nm	1550 nm	405 nm	395 nm	nm
11	1550 nm	940 nm	1450 nm	1650 nm	450 nm	405 nm	nm
12	1650 nm	980 nm	1550 nm	1900 nm	400 - 700 nm	450 nm	nm

GEVXD MULTISPECTRAL



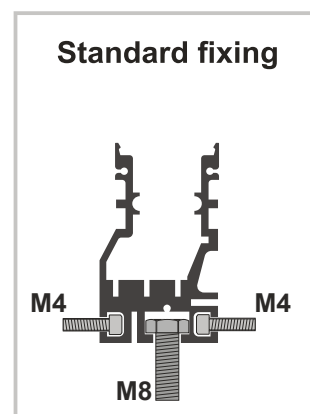
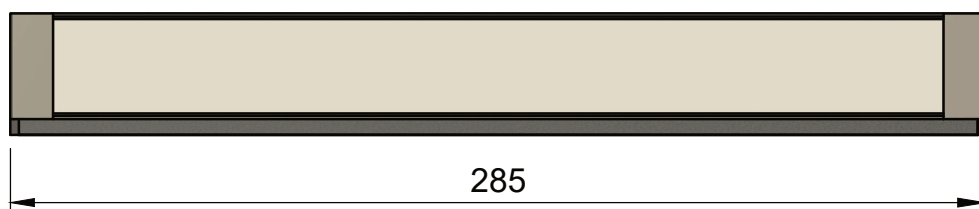
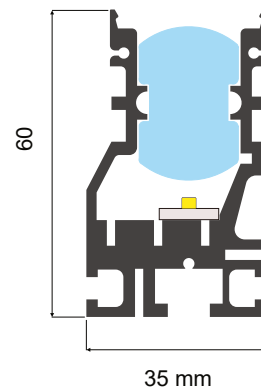
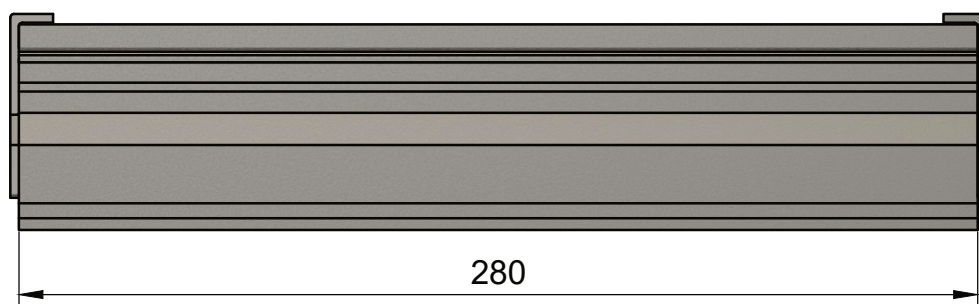
MODELS

	Code	Description
Base model	GEVXD28-MS-400-1650	12 wavelength multispectral lighting 28 cm 5°Lens 400-1650 nm 50W 20cm cable M12 5 poles Table 1
Base model	GEVXD28-MS-365-980	12 wavelength multispectral lighting 28 cm 5°Lens 365-980 nm 50W 20cm cable M12 5 poles Table 2
Base model	GEVXD28-MS-RGB-1550	12 wavelength multispectral lighting 28 cm 5°Lens RGB-1550 nm 50W 20cm cable M12 5 poles Table 3
Base model	GEVXD28-MS-400-1900	12 wavelength multispectral lighting 28 cm 5°Lens 400-1900 nm 50W 20cm cable M12 5 poles Table 4
Base model	GEVXD28-MSB-400-1650	12 wavelength multispectral lighting 28 cm with 40° deflector 400-1650 nm 50W 20cm cable M12 5 poles Table 1
Base model	GEVXD28-MSB-365-980	12 wavelength multispectral lighting 28 cm with 40° deflector 365-980 nm 50W 20cm cable M12 5 poles Table 2
Base model	GEVXD28-MSB-400-1900	12 wavelength multispectral lighting 28 cm with 40° deflector 400-1900 nm 50W 20cm cable M12 5 poles Table 4
Base model	GEVXD28-MSB-265-450	12 wavelength multispectral lighting 28 cm with 40° deflector UV 265-450 nm 50W 20cm cable M12 5 poles Table 5
Base model	GEVXD28-MSB-255-450	12 wavelength multispectral lighting 28 cm with 40° deflector UV 255-450 nm 50W 20cm cable M12 5 poles Table 6
Tailor Made	GEVXDXXX-MS-YYY-ZZZ	Choose the dimension and the wavelength of the light

Description
GEVXD28-MS is a Modular Model Fitting up to 8 boards on the same bar light (Max 214 cm)

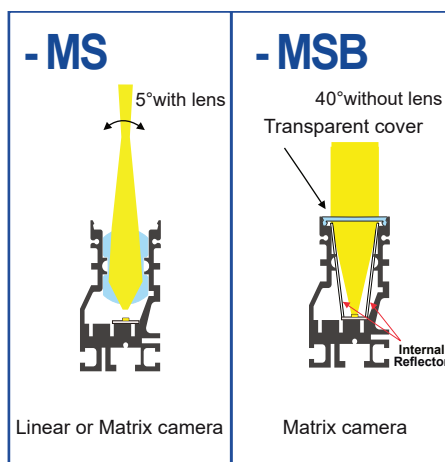
PIN OUT

Connector	PINS	Function
	1	+24V (2 A)
	2	- RS485
	3	GND
	4	+ RS485
	5	NC



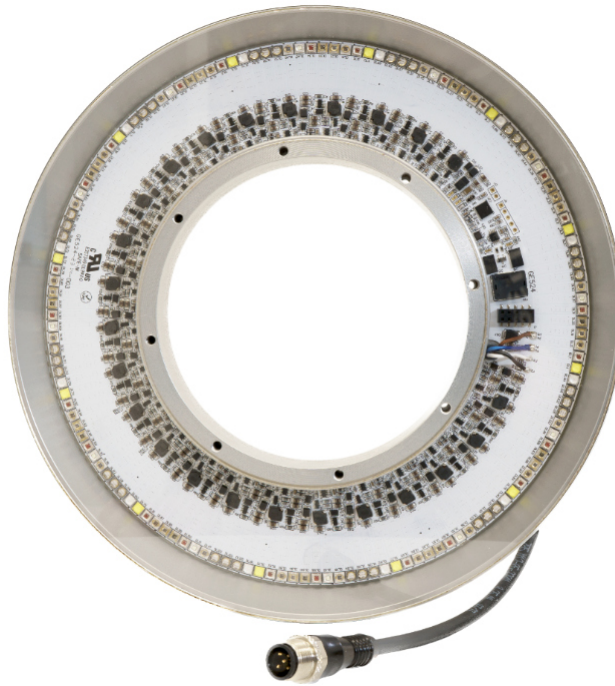
Description
GEVXD28-MS is a Modular Model Fitting up to 8 boards on the same bar light (Max 214 cm)

MODEL AND STANDARD ACCESSORIES



CODE	DESCRIPTION
GEVXXXX-T	Transparent PMMA Cover
GEVXXXX-OP	Opaline Polycarbonate Cover
GEVXXXX-ST	Satin Polycarbonate Cover
GE-M12F-5X050-2M	M12 Connector female cable 2 meters long
External converter USB/485	
Software PC	

GEST 220 MULTISPECTRAL



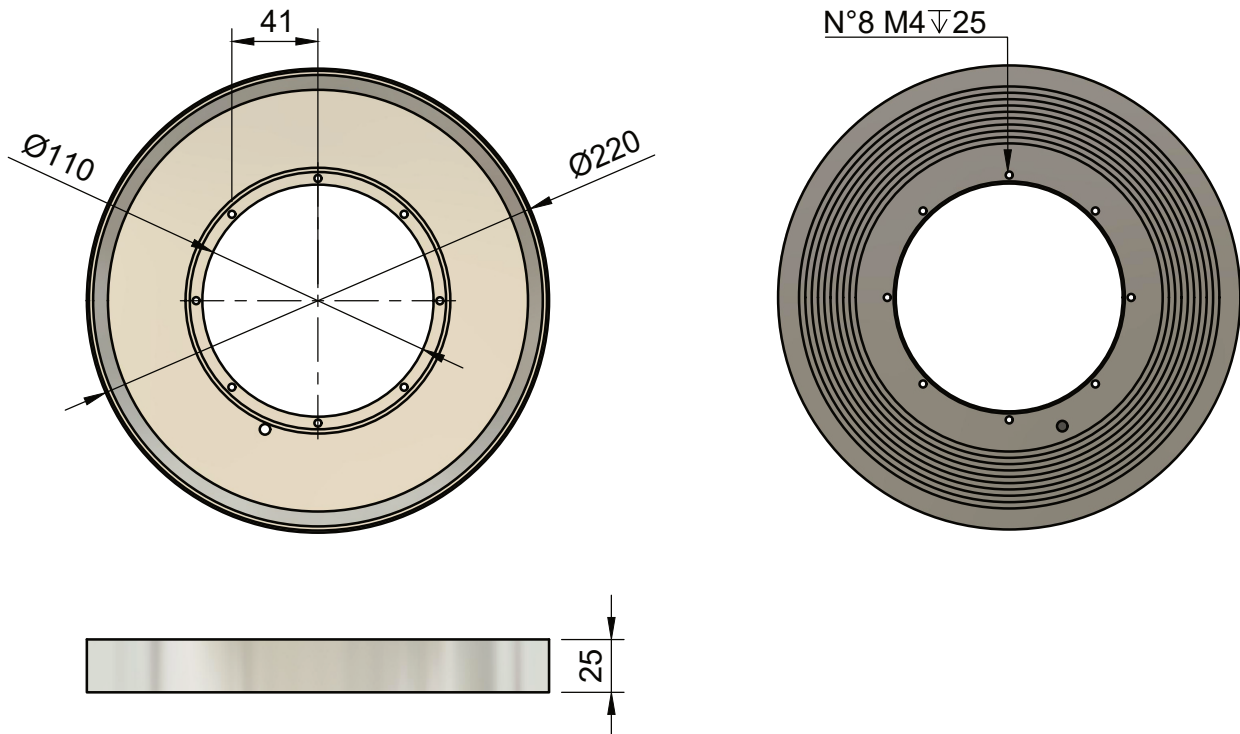
MODELS

	Code	Description
Base model	GEST220-MS-400-1650	12 wavelength multispectral ring light 220cm diameter 400-1650 nm 100W 20cm cable M12 5 poles Table 1
Base model	GEST220-MS-365-980	12 wavelength multispectral ring light 220cm diameter 365-980 nm 100W 20cm cable M12 5 poles Table 2
Base model	GEST220-MS-RGB-1550	12 wavelength multispectral ring light 220cm diameter RGB-1550 nm 100W 20cm cable M12 5 poles Table 3
Base model	GEST220-MS-400-1900	12 wavelength multispectral ring light 220cm diameter 400-1900 nm 100W 20cm cable M12 5 poles Table 4
Base model	GEST220-MS-265-450	12 wavelength multispectral ring light 220cm diameter UV 265-450 nm 100W 20cm cable M12 5 poles Table 5
Base model	GEST220-MS-255-450	12 wavelength multispectral ring light 220cm diameter UV 255-450 nm 100W 20cm cable M12 5 poles Table 6
Tailor Made	GESTXXX-MS-YYY-ZZZ	Choose the dimension and the wavelength of the light

PIN OUT

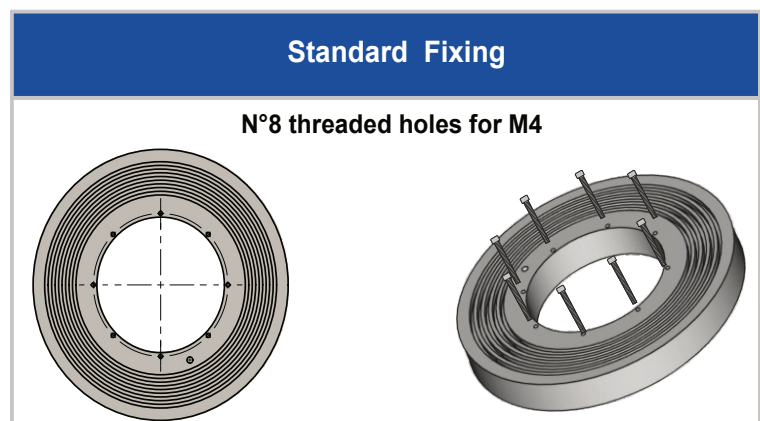
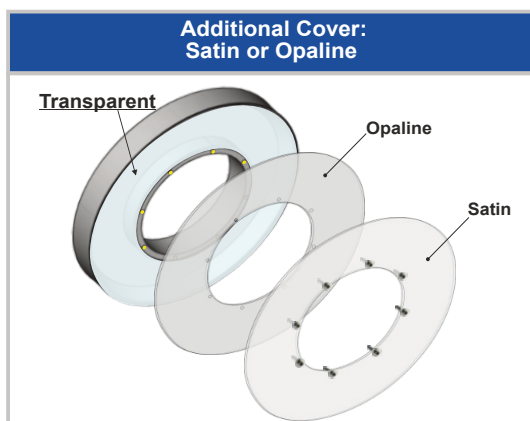
Connector	PINS	Function
M12 Male	1	+24V (4 A)
	2	- RS485
	3	GND
	4	+ RS485
	5	NC

MECHANICAL DRAWING & FIXING



STANDARD ACCESSORIES INCLUDED

CODE	DESCRIPTION
GEST220-ST2-AP	2 mm satin plexiglass additional protection + screws
GEST220-OP2-AP	2 mm opaline Polycarbonate additional protection + screws
GE-M12F-5X050-2M	M12 female Connector: 2 mt
External converter USB/485	
Software PC	



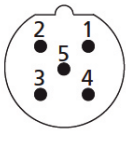
GB MULTISPECTRAL




MODELS

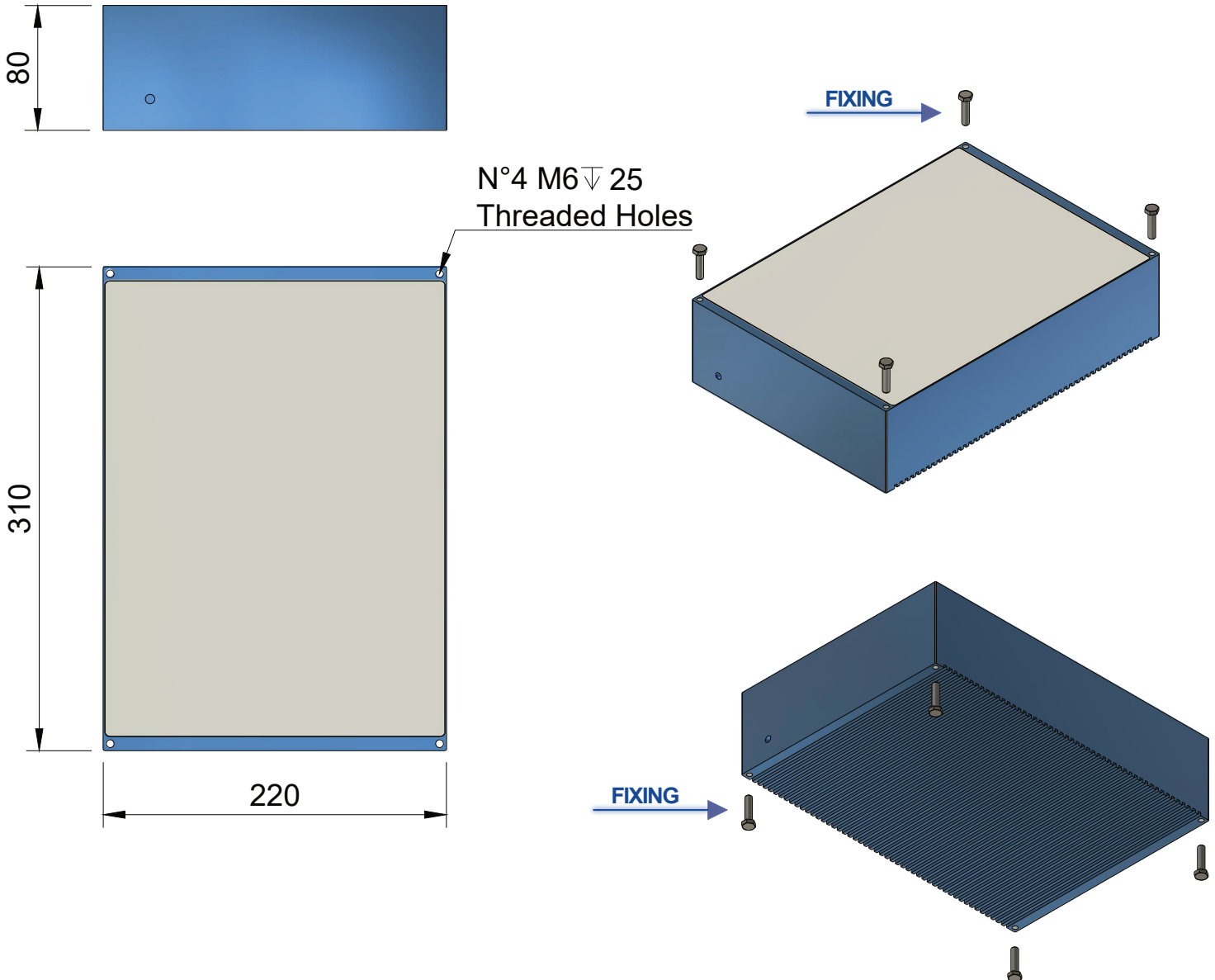
	Code	Description
Base model	GB210280-MS-400-1650	12 wavelength multispectral backlight 21x28cm 400-1650 nm 150W 20cm cable M12 5 poles Table 1
Base model	GB210280-MS-365-980	12 wavelength multispectral backlight 21x28cm 400-1650 nm 150W 20cm cable M12 5 poles Table 2
Base model	GB210280-MS-RGB-1550	12 wavelength multispectral backlight 21x28cm 400-1650 nm 150W 20cm cable M12 5 poles Table 3
Base model	GB210280-MS-400-1900	12 wavelength multispectral backlight 21x28cm 400-1650 nm 150W 20cm cable M12 5 poles Table 4
Tailor Made	GBAAABBB-MS-YYY-ZZZ	Choose the dimension and the wavelength of the light

PIN OUT

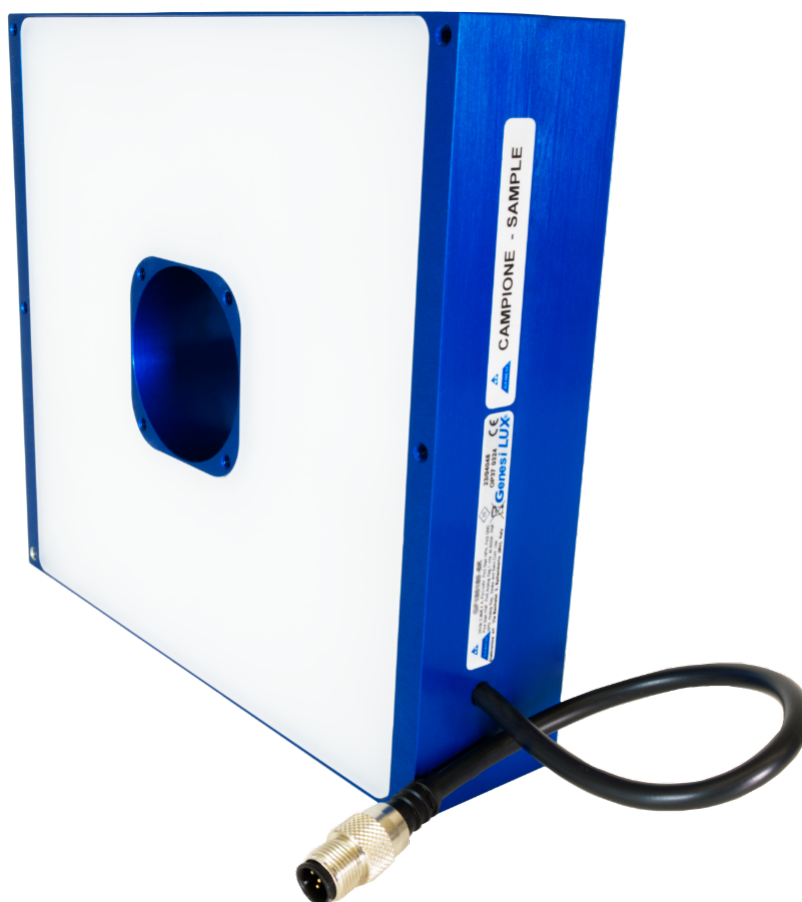
Connector	PINS	Function
	1	NC
	2	- RS485
	3	GND
	4	+ RS485
	5	NC

Supply Cable	Function	Description
	+24 V (8 A)	2 Metres cable 2 x 2,5 mm ²
	GND	

MECHANICAL DRAWING & FIXING



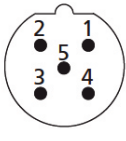
GF MULTISPECTRAL




MODELS

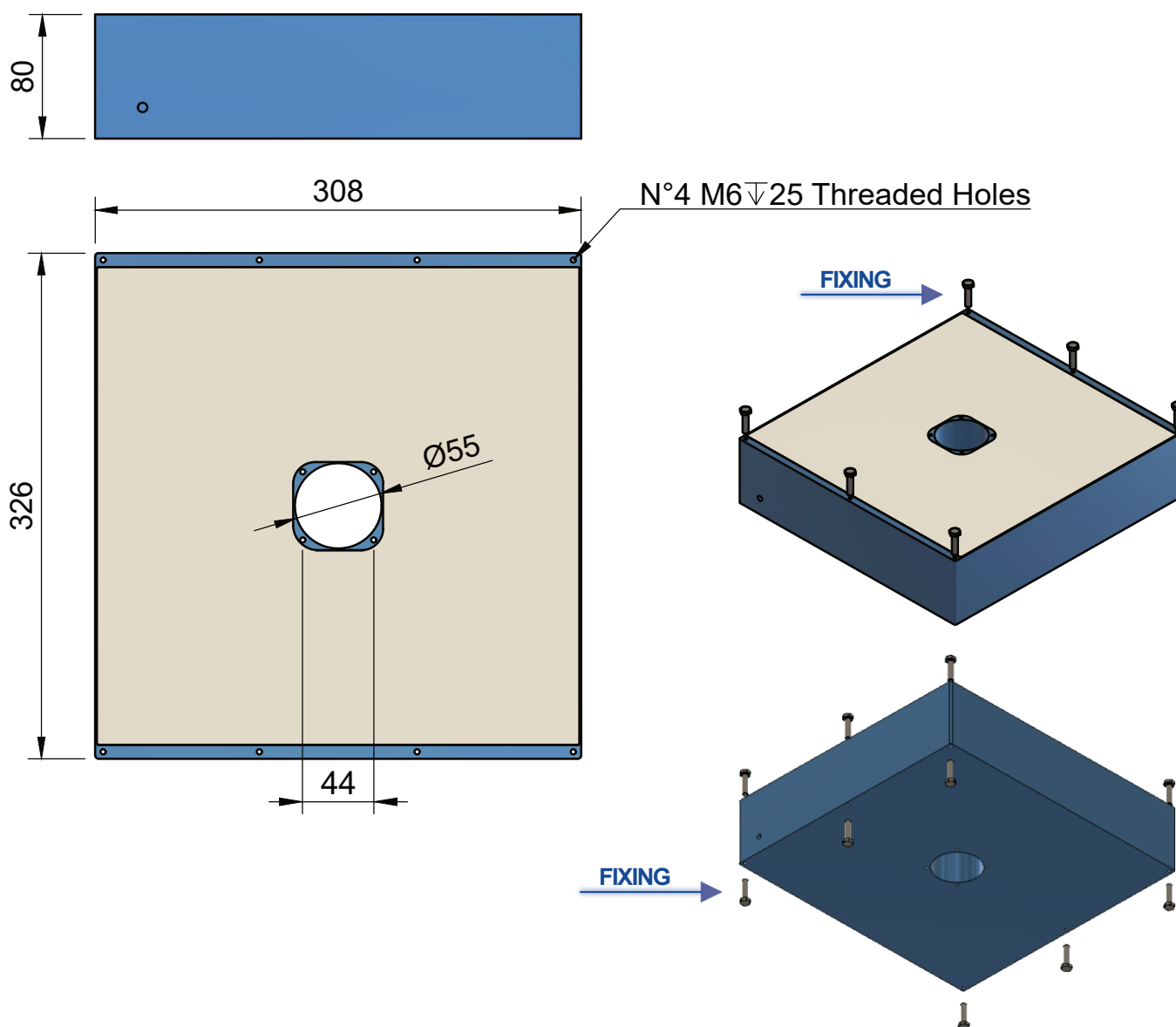
	Code	Description
Base model	GF300300-MS-400-1650	12 wavelength flat dome light 30x30cm 400-1650 nm 200W 20cm cable M12 5 poles Table 1
Base model	GF300300-MS-365-980	12 wavelength flat dome light 30x30cm 400-1650 nm 200W 20cm cable M12 5 poles Table 2
Base model	GF300300-MS-RGB-1550	12 wavelength flat dome light 30x30cm 400-1650 nm 200W 20cm cable M12 5 poles Table 3
Base model	GF300300-MS-400-1900	12 wavelength flat dome light 30x30cm 400-1650 nm 200W 20cm cable M12 5 poles Table 4
Tailor Made	GFAAABBB-MS-XYZ	Choose the dimension and the wavelength of the light

PIN OUT

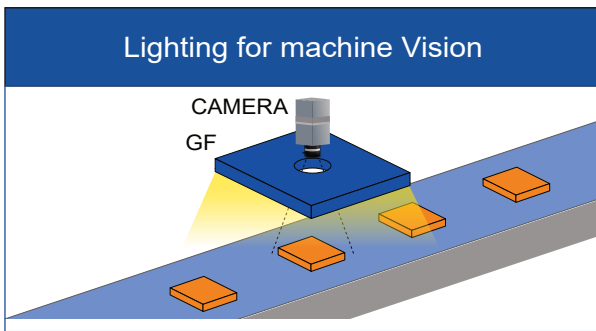
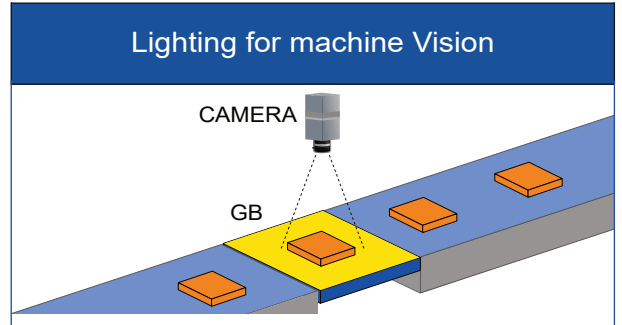
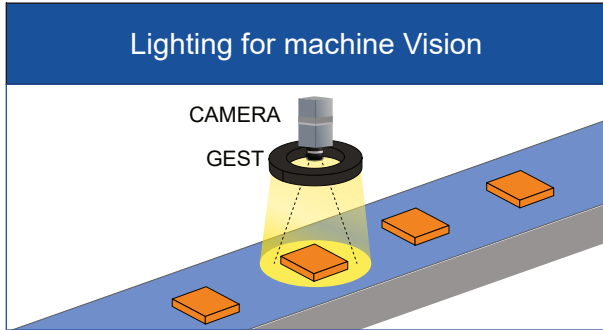
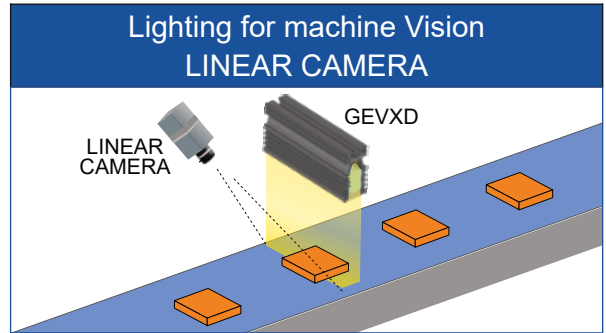
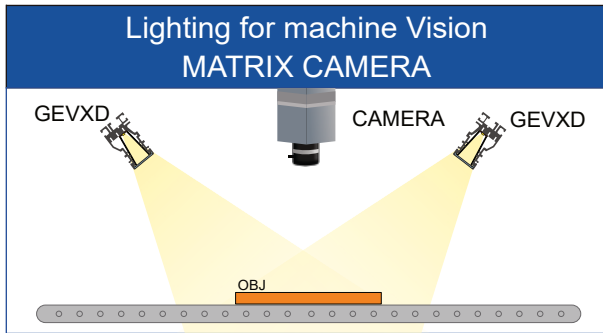
Connector	PINS	Function
	1	NC
	2	- RS485
	3	GND
	4	+ RS485
	5	NC

Supply Cable	Function	Description
	+24 V (10 A)	
	GND	

MECHANICAL DRAWING & FIXING



TYPICAL APPLICATIONS



NEW SOLUTION

DESIGN A NEW ONE

info@genesi-lux.it



SAMPLE

TEST THE PRODUCT

info@genesi-lux.it



DOWNLOAD

TECHNICAL SPECIFICATIONS

www.genesi-elettronica.com



REQUEST

THE PRICE LIST

info@genesi-lux.it

STANDARDS	
EMC immunity :	EN 61547:2009
EMC emission :	EN 55015:2019
Photobiologic risk :	EN 62471:2008 GLS:
Assessment of lighting equipment related to human exposure to electromagnetic fields	EN 62493:2015

WARNING

-Electrical device exclusively for professional use. Installation can be done by qualified personnel only.
-In case of power supply wire damage, its replacement has to be done at the head office exclusively.

Warranty loss in case of inappropriate use and tampering.



Design & Production
Made in Italy



Genesi LUX®

GENESI ELETTRONICA SRL - VIA BACHELET, 3/A - 41057 SPILAMBERTO (MO) - ITALY
info@genesi-lux.it - TEL. +39 059785566 - www.genesi-elettronica.com

©All Rights Reserved GENESI ELETTRONICA - MULTISPECTRAL LIGHTING



Organization with a certified ISO 9001:2015 Quality Management System

Rev. 01/26